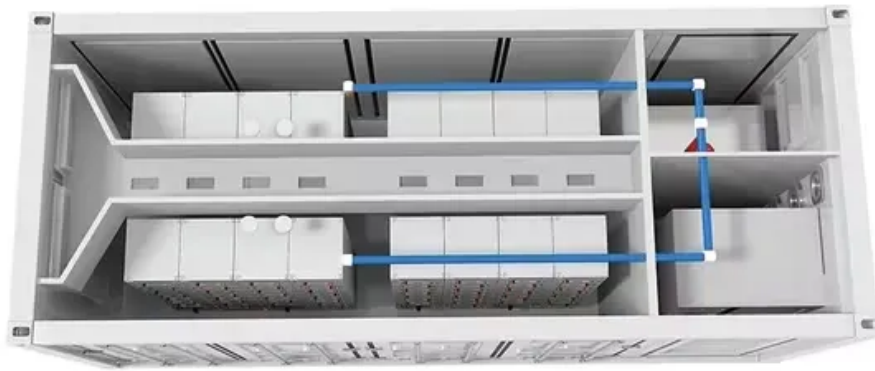


10MWh Microgrid Energy Storage Outdoor Cabinet for Dhaka Field Operations



10MWh Microgrid Energy Storage Outdoor Cabinet for Dhaka Field C



Best Outdoor Energy Storage Cabinet in Dhaka: Top Solutions for

Finding the best outdoor energy storage cabinet in Dhaka means balancing climate resilience with smart energy management. As renewable integration grows, these systems will become even more vital for business ...

100kwh 215kwh air cooled energy storage system outdoor cabinet

Unleash peak performance and unparalleled security with our Air-cooled Energy Storage System. This modular powerhouse seamlessly integrates AI-powered intelligence for optimized operation and cloud-based ...



Outdoor Cabinet Energy Storage System

Product Features: Standardized structure design, menu-type function configuration, photovoltaic charging module, a parallel off-grid switching module, power frequency transformer, and other components can be ...

Outdoor Energy Storage Cabinet System Manufacturer & Supplier

Looking to deploy an enterprise-grade ESS cabinet for commercial facilities, factories, EV charging, microgrids, or industrial parks? Wenergy provides fully integrated, outdoor-rated ESS cabinets using LiFePO4 ...



Energy Storage Equipment, Energy storage solutions, Lithium battery

Huijue Group offers industrial and commercial energy storage, PV-BESS -EV Charging, Off-grid / On-grid Microgrid, telecom site solutions, and home solar energy storage, ensuring reliability, efficiency, and ...

AINEGY Showcases South Asia-Tailored Energy Storage Solutions at Dhaka

For commercial/industrial applications, AINEGY's microgrid cabinets enable intelligent switching between solar PV and diesel generators, providing 6-8 hours of backup power daily.



10kW Solar Outdoor Cabinet for Field Research in Dhaka

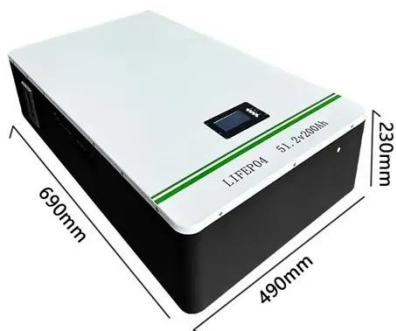
South African manufacturer of microgrid energy management cabinets, data

center edge computing cabinets, off-grid energy cabinets, mining explosion-proof battery cabinets, and mobile ...



HUAWEI DHAKA ENERGY STORAGE OUTDOOR CABINET

How to install the outdoor cabinet battery energy storage cabinet This guide provides step-by-step instructions on how to install your R-BOX-OC outdoor solar battery cabinet, including site selection, assembly, wiring, ...



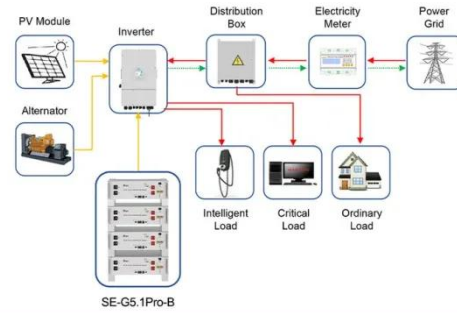
Outdoor Battery Cabinet

The Outdoor Battery Cabinet offers versatile energy storage with capacities of 1MWh, 5MWh, and 10MWh. It features Lithium Iron Phosphate cores, IP54 protection, intelligent cooling, and fire safety configurations, ...

Outdoor Cabinet Energy Storage System (Air-Cooled) - Modular Energy

The ELECOD Outdoor Cabinet Energy Storage System (Air-Cooled) is a highly

efficient and scalable energy storage solution, designed for use in microgrid scenarios such as commercial, industrial, and renewable ...



Application scenarios of energy storage battery products

Contact Us

For catalog requests, pricing, or partnerships, please visit:
<https://www.scelto.co.za>

