

# 10mw estonian smart pv-ess integrated cabinet for marine use



✓ 100KW/174KWh

✓ Parallel up-to 3sets

✓ IP Grade 54

✓ EMS AND BMS



## 10mw estonian smart pv-ess integrated cabinet for marine use

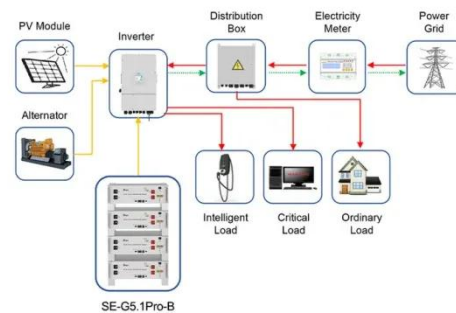


### 10mw smart pv-ess integrated cabinet for polish base stations

The Smart ESS is a fully integrated plug and play energy storage solution that are ready for connection to medium-or high-voltage grids and offers proven hardware to meet energy storage and grid support ...

### 100kWh Smart PV Ess Cabinet

Integrated PV and storage system with super wide PV input voltage; Small footprint and IP54 protecting grade for outdoor installation. Safe & Reliable High-performance battery cell, meet IEC/UL/GB ...



Application scenarios of energy storage battery products



### ESTONIAN SMART ENERGY STORAGE CABINET DESIGN

261kWh Liquid-Cooled Integrated Machine offers automotive-grade safety, economic efficiency with over 10,000 cycle life and >90% efficiency, and flexible, plug-and-play convenience with remote monitoring.

### 215KWH SMART PV ESS CABINET

Estonian energy company, Alexela and cleantech start-up, PowerUP Energy Technologies, unveiled the first-ever Smart Hydrogen cabinet at Alexela's refilling station at the Kakumäe harbor in Estonia's ...

**18650** 3.7V  
RECHARGEABLE BATTERY Li-ion  
**2000mAh**



### **ESTONIA SMART ENERGY STORAGE CABINET SUPPLY**

Ranging from 208kWh to 418kWh, each BESS cabinet features liquid cooling for precise temperature control, integrated fire protection, modular BMS architecture, and long-lifespan lithium iron phosphate ...

### **Envision-Energy Storage System**

Envision's solution is complete across the entire BESS value chain to the MV connection. End-to-end in-house BESS integration capability from cells to software enables a fully integrated ESS to maximize ...



### **Max-Solaris Intelli-PV ESS Cabinet**

Simple & user-friendly: Compact design for easy installation; Remote monitoring for effortless operation.



## ESS-GRID Cabinet Brochure EN-250401

Multiple cabinets can be connected in parallel to realize the expansion of the energy storage system. The local control screen enables diverse functions, including system operation monitoring, energy ...

To Strive forward No Energy Waste



- ✓ All in one
- ✓ 100~215kWh High-capacity
- ✓ Intelligent Integration

## Datasheet ES64 ESS Cabinet Techon7Group



This document may contain forecast information, including but not limited to future finances, operations, product series, new technologies, etc. Due to practice the uncertainty in the actual results may differ ...

## Contact Us

For catalog requests, pricing, or partnerships, please visit:

<https://www.scelto.co.za>

