

120kW Photovoltaic Battery Cabinet on Sale



120kW Photovoltaic Battery Cabinet on Sale

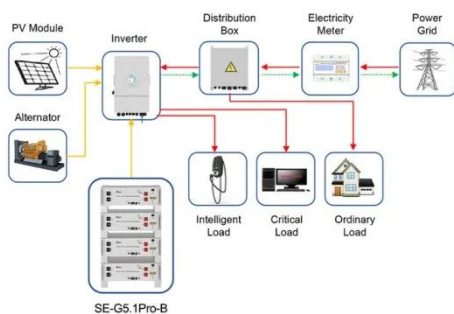


Advanced Outdoor Energy Cabinet with Built-in Safety , 50kW / ...

This isn't just a battery; it's a fully integrated power fortress, combining a massive 120kWh LiFePO4 battery bank, a powerful 50kW inverter, and a sophisticated thermal management system within a ...

VoltaNest Hybrid Grid 120kW 241kWh 240kWh Solar Power Energy ...

As a global leading new energy enterprise, with over 20 years of experience in PV systems, VoltaNest Group provides high-quality energy storage products for residential, commercial, and utility applications.



Application scenarios of energy storage battery products

120KW+241KWHL Lithium Battery System Cabinet

Yangtze Solar Power Co.,Ltd is one of the leading 120kw+241kwhl lithium battery system cabinet manufacturers and suppliers in China, featured by quality products and good price.

20-120kWh Scalable Battery Storage System for Energy Backup

We support bulk orders, custom cabinets, and white-label options. 20-120kWh modular battery storage system for commercial, solar, and backup applications. Scalable, high-voltage solution with LiFePO4 ...



Solar Battery Cabinet for sale , eBay

Get the best deals for Solar Battery Cabinet at eBay . We have a great online selection at the lowest prices with Fast & Free shipping on many items!

LFP Battery Pack , Solar Storage Solution

The 120 kW automatic switching cabinet integrates STS-based control, protection, and monitoring functions to enable safe and automatic grid-connected and off-grid operation works with energy ...



Good quality 120kW 120kVA Solar Battery Energy Storage System

With PVMARS solar IoT, through your phone or computer view real-time performance data of your solar system, such as solar panel power generation,

battery capacity, etc., and receive timely maintenance ...



215kWh +120kW High Voltage Integrated Energy Storage Cabinet

Featuring 215kWh of LiFePO4 storage and a 120kW PCS, this system is engineered for industrial parks and commercial complexes that require high-power energy management.



200kWh 120kWh 60kWh Hybrid Energy Storage Cabinet On-Grid Off ...



All-in-one Industrial Solar Battery Storage System On-grid Off-grid Hybrid Energy Storage Cabinet 200kWh 120kWh 60kWh HC129P is a versatile hybrid energy solution that combines the advantages ...

Sunpal All In One Solar Battery Power Cabinet 120kW 100kWh 50 ...

Sunpal All In One Solar Battery Power Cabinet 120kW 100kWh 50 kWh 40kW

Storage Battery Industrial Solar Systems,
Find Details and Price about industrial
solar systems all in one solar battery
from ...



Contact Us

For catalog requests, pricing, or partnerships, please visit:
<https://www.scelto.co.za>

