

25 km solar power plant



Overview

China has unveiled plans for a space power station at an altitude of 36,000 km, where sunlight is constant and 10 times more intense than on Earth. Apparently, it will be collecting energy around the clock and transmit it back to Earth. The Ivanpah Solar Electric Generating System is a concentrated solar thermal plant located in the Mojave Desert at the base of Clark Mountain in California, across the state line from Primm, Nevada. The capacity of solar farms included ranges from hundreds to. As of October 2024, China, United Arab Emirates, and India have taken over as the leading developers of large-scale solar power projects. demand for solar power is surging despite an economic recession, thanks to government financial incentives, some easing in credit availability, and. China's Overwhelming Dominance: China controls 11 of the top 15 largest solar farms globally, with the Gonghe Talatan Solar Park leading at 15. However, China is currently making strides to turn this ambitious vision into reality, potentially revolutionizing our energy.

25 km solar power plant

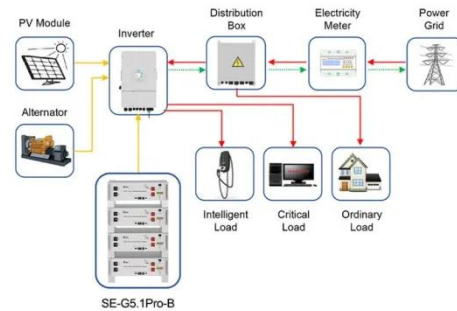
Ivanpah Solar Power Facility



The Ivanpah Solar Electric Generating System is a concentrated solar thermal plant located in the Mojave Desert at the base of Clark Mountain in California, across the state line from Primm, Nevada.

China's kilometer-long space solar power plant is groundbreaking

The successful realization of a kilometer-long solar power plant in space would mark a significant milestone not only for China but also for humanity's approach toward sustainable energy ...



Application scenarios of energy storage battery products

Wild vision: engineers to build giant power plant 36,000 km above Earth



China has unveiled plans for a space power station at an altitude of 36,000 km, where sunlight is constant and 10 times more intense than on Earth. Apparently, it will be collecting energy around the ...

China races to build world's largest

solar farm

Chinese officials have showcased what they claim will be the world's largest solar farm on the Tibetan plateau



World's Largest Solar Farms 2025: Complete Guide To Mega Projects

Discover the world's largest solar farms in 2025. Complete rankings, capacity data, locations, and analysis of mega solar projects transforming global energy.

Top 5 Largest Solar Power Plants of the World

Explore the 5 Largest solar power plants from around the world. From systems in China, India and the United States.



Top 5 Largest Solar Power Plants of the World

Discover the world's largest solar farms in 2025. Complete rankings, capacity data, locations, and analysis of mega solar projects transforming global

energy.



The 15 Biggest Solar Farms In The World 2026 , The ...

We've looked at the 15 biggest solar farms in the world right now, examining capacity, total investment, and the future of solar power worldwide.



Largest PV power plants list

Find a list of solar photovoltaic plants that are currently considered the largest on the globe. We have listed the ground-mounted utility-scale stations, which have already been connected to the power ...

Top 10 biggest solar power plants in the world reshaping our

What follows are the top 10 solar power plants that are actually operational and verifiably producing power as of 2025. No speculative or half-built megaprojects

and planned expansions. These



China to launch one-kilometre-wide solar farm into space

The solar farm, which would be launched into space using heavy-lift rockets, is expected to stretch one kilometre in width and continuously harvest renewable energy for Earth.

Contact Us

For catalog requests, pricing, or partnerships, please visit:
<https://www.scelto.co.za>

