

5MWh Photovoltaic Energy Storage Container for Catering Industry



5MWh Photovoltaic Energy Storage Container for Catering Industry



5MWh Containerized Energy Storage System

Product features(Containerized Energy Storage System): Low energy consumption, long life, high consistency, high stability. Application scenarios: photovoltaic power plants, wind power stations, ...

CT-5MWh Container Energy Storage Liquid-Cooling Solution

The 5MWh Container Energy Storage Liquid-Cooling Solution is designed for large-scale energy storage applications, including renewable energy integration, grid stabilization, and providing reliable power ...



5MWh Liquid-Cooled Battery Energy Storage Container

The 5MWh liquid-cooled battery energy storage container is built for large-scale projects that demand high capacity, stable performance, and long service life. It is widely deployed across utility, grid, and ...



5MWh Air-Cooled Container Energy Storage System for Large-Scale

The 5MWh air-cooled container ESS is a high-capacity energy storage solution for industrial and commercial applications. It uses modular Lithium Iron Phosphate (LFP) batteries and ...



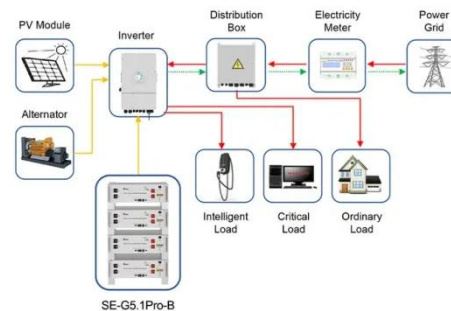
- IP65/IP55 OUTDOOR CABINET
- WATERPROOF OUTDOOR CABINET
- 42U/27U
- OUTDOOR BATTERY CABINET

5MWh Energy Storage Container System

What are the key benefits of the HJ-G0-5000F 5MWh Energy Storage Container System for industrial applications? The HJ-G0-5000F offers high-capacity storage with a 5MWh lithium iron phosphate ...

5mwh battery compartments the ultimate large battery storage ...

This guide explores how Yijia Solar's 5MWh systems redefine energy storage, blending technical excellence with real-world performance.



Application scenarios of energy storage battery products

5MWh Energy Storage System Manufacturer & Supplier , Wenergy

The 5MWh ESS is a turnkey energy storage solution designed for industrial



and commercial applications. It combines high-capacity battery modules with a reliable PCS inverter system, all within ...

Soundon New Energy 5MWh Container Energy Storage System

The 5MWh container energy storage system is a super cool solution that seamlessly combines different parts, like a Lithium iron phosphate battery, Battery Management System, Gaseous Fire Suppression ...



Home Energy Storage (Stackble system)



Product Introduction

- ✓ Scalable from 10kWh to 50 kWh
- ✓ Self-Consumption Optimization
- ✓ Integrated with inverter to avoid the compatibility problem
- ✓ LFP battery, safest and long cycle life
- ✓ Stackable design, effortless installation
- ✓ Capable of High-Powered Emergency Backup and Off-Grid Function

5MWh Energy Storage System

Remarkable energy density: up to 5 MWh within a single 20ft container. Multiple-point electrical linkage measures incorporated for enhanced performance. Swift-acting fault protection integrated into the ...

Key aspects of a 5MWh+ energy storage system

This article discusses the key points of the 5MWh+ energy storage system. It explores the advantages and

specifications of the 1.5MWh and 5MWh+ energy storage systems, as well as the changes in ...



Contact Us

For catalog requests, pricing, or partnerships, please visit:
<https://www.scelto.co.za>

