

Asia s solar energy storage policy



Overview

There is no one-size-fits-all approach to energy storage in Asia. Each country has its own unique requirements and opportunities. Thailand has focused almost exclusively on BESS. In fact, Asia Pacific is expected to account for nearly 75 percent of the global battery energy storage market by next year. As we have discussed previously, several. Clean energy technology innovations are continuously breaking records but to capitalise on them and unlock the gains of the clean energy transition, it is essential to accelerate the investments in grid flexibility and storage. The combination of the shift to renewable energy and the lack of grid stability in several Southeast Asian nations indicates the need for storage technologies, a need which is starting to be recognised at governmental level.

Asia s solar energy storage policy

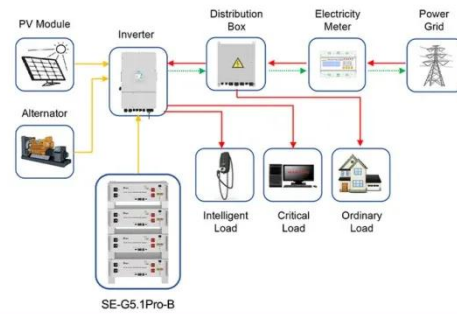


Advancing Energy Storage Technologies and Governance in the Asia ...

This review explores the development of energy storage technologies and governance frameworks in the Asia-Pacific region, where rapid economic growth and urbanisation drive the ...

Energy Storage Comes into Focus as Asia Embraces Renewables

Asian countries are actively investing in renewables with solar, wind, offshore wind and hydro among the most utilised. The issue now facing many markets is stability. This has seen energy ...



Application scenarios of energy storage battery products



North asia energy storage deployment

Market dynamics, technical developments and regulatory policies that could be decisive for energy storage deployment in Australia, Mainland China, Malaysia, Singapore, South Korea, Taiwan, ...

ENERGY TRANSITION IN SOUTHEAST

ASIA: SOLVING THE ...

Southeast Asia can look to Australia and Japan as examples of how to promote the adoption of energy storage systems (and, once the necessary regulations are in place, the potential speed of the rollout).



Policy and Regulatory Influences on the Asia Pacific Energy Storage

Governments across the Asia Pacific region are implementing policies and incentives to promote energy storage adoption. China's 14th Five-Year Plan emphasizes the development of ...

Energy Storage Emerges as a Cornerstone in Asia's Renewable ...

Asia is rapidly scaling energy storage to support its clean energy future, with policy shifts, projects, and partnerships driving regional transformation. As the global shift toward clean energy ...

 TAX FREE

Product Model
HJ-ESS-215A(100KW/215KWh)
HJ-ESS-115A(50KW/115KWh)

Dimensions
1600*1280*2200mm
1600*1200*2000mm

Rated Battery Capacity
215KWH/115KWH

Battery Cooling Method
Air Cooled/Liquid Cooled



North Asia's 2025 Energy Storage Policy: Roadmap for Renewable

Let's face it--North Asia's energy landscape is at a crossroads. With China's renewables capacity hitting 1,200 GW last quarter and Japan

accelerating nuclear reactor restarts,
you'd think we've got this ...



Asia is building the backbone of its renewable future with energy storage

From Southeast Asia to India and Australia, landmark policies, first-of-their-kind projects and bold investment decisions show that energy storage is no longer a niche technology but a ...



Energy Storage Systems in Asia

Building fully integrated regional grids, long-distance transmission lines and grid-scale storage technologies is imperative for Southeast Asia so that countries can start capitalising on their ...

North Asia Photovoltaic Energy Storage Policy: Trends, Challenges,

...

Summary: Explore how North Asian countries are shaping photovoltaic

energy storage policies to meet renewable energy targets. Discover regional initiatives, data-driven insights, and emerging ...



Contact Us

For catalog requests, pricing, or partnerships, please visit:
<https://www.scelto.co.za>

