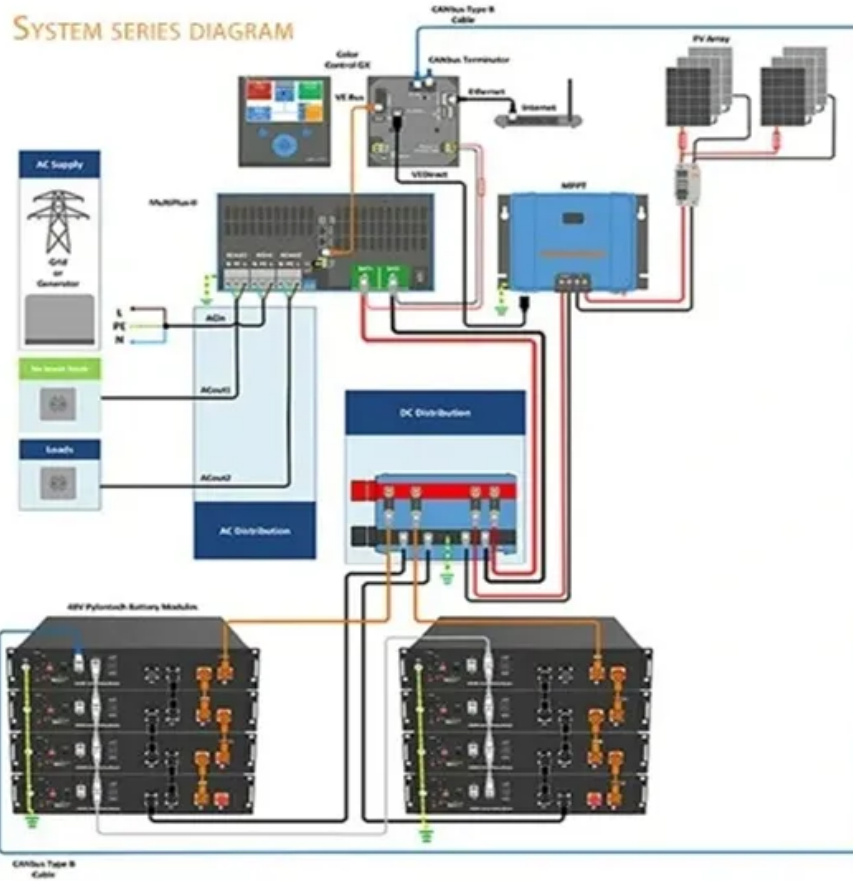


# China China drawout circuit breaker Seller



## China China drawout circuit breaker Seller

---



### China Circuit Breakers Suppliers, Manufacturers and Factory

Feel free to wholesale Circuit Breakers made in China directly from our factory, ensuring both class and superior quality.

---

### China Drawout, Drawout Wholesale, Manufacturers, Price

China Drawout wholesale - Select 2026 high quality Drawout products in best price from certified Chinese manufacturers, suppliers, wholesalers and factory on Made-in-China



### Top China Drawout Circuit Breaker Manufacturer & Supplier

Find top-quality drawout circuit breakers from trusted manufacturers in China. Contact us for customized orders and product inquiries to enhance your electrical solutions.

---

### China Draw-out Circuit Breaker, China Draw-out Circuit Breaker

China Draw-out Circuit Breaker - Select 2024 high quality China Draw-out Circuit Breaker products in best price from certified Chinese Circuit Breaker manufacturers, Equipment Circuit Breaker suppliers, ...



### Draw Out Circuit Breaker China Trade, Buy China Direct From Draw

...

Buy Draw Out Circuit Breaker China Direct From Draw Out Circuit Breaker Factories at Alibaba . Help Global Buyers Source China Easily.

### China drawout type circuit breaker

Find drawout type circuit breaker products, drawout type circuit breaker suppliers from China, Ecer help you directly contact with drawout type circuit breaker manufacturers.



### China Drawout Circuit Breaker Manufacturer and Supplier, Factory

Find a reliable Drawout Circuit Breaker manufacturer, supplier, and factory in China. Get high-quality products at

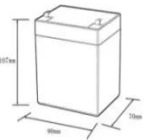

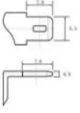
competitive prices.



## Top Chinese Universal Circuit Breaker Manufacturers

Discover the rise of Chinese universal circuit breaker manufacturers and their impact on electrical safety. Explore top companies like Wasion Energy and TAIXI Electric, their product offerings, technological ...



**12.8V6AH**

Nominal voltage (V):12.8  
 Nominal capacity (ah):6  
 Rated energy (WH):76.8  
 Maximum charging voltage (V):14.6  
 Maximum charging current (a):6  
 Floating charge voltage (V):13.6-13.8  
 Maximum continuous discharge current (a):10  
 Maximum peak discharge current @10 seconds (a):20  
 Maximum load power (W):100  
 Discharge cut-off voltage (V):10.8  
 Charging temperature (°C):-20-+50  
 Discharge temperature (°C):-20-+60  
 Working humidity: <95% R.H (non condensing)  
 Number of cycles (25 °C, 0.5c, 100%doD): >2000  
 Cell combination mode: 32700-4s1p  
 Terminal specification: T2 (6.3mm)  
 Protection grade: IP65  
 Overall dimension (mm):50\*70\*107mm  
 Reference weight (kg):0.7  
 Certification: un38.3/msds

## China drawout circuit breaker Manufacturers Factory Suppliers

As one of the most professional drawout circuit breaker manufacturers and suppliers in China, we're featured by quality products and good service. Please rest assured to wholesale customized drawout ...

## Top China Drawout Circuit Breakers - Yueqing Chushang Factory ...

Find a trustworthy Drawout Circuit Breaker manufacturer and supplier in

China. Get premium quality products at competitive prices to meet your electrical needs.



---

## Contact Us

---

For catalog requests, pricing, or partnerships, please visit:  
<https://www.scelto.co.za>

