

Commercial solar rome



Overview

On 20 January 2025, Rome Fiumicino Airport's (FCO) new solar farm was unveiled: located along the eastern side of Runway 3, it extends for almost 2.5km and represents a unique infrastructure in the international airport landscape. In Europe, among the largest in the world. ease to 60 MWp with the integration of other structures over the next few years, reaching a capacity s infrastructure was designed by ADR and built by Enel in collaboration with Circet, following a European public tender after which the integrated. In significant Fiumicino news, Aeroporti di Roma (ADR) has inaugurated a massive PV plant at Rome Fiumicino Airport. Featuring 55,000 mono-crystalline silicon panels and a capacity of 22 MWp, the facility spans 2.

Commercial solar rome



Here's the latest on the National Guard

Jack Armstrong covers breaking news and the environment for The Commercial Appeal. He can be reached at jack.armstrong@commercialappeal and followed on X @jca2902.

Rome Fiumicino. The largest solar farm in a European ...

Rome Fiumicino Airport unveils the largest self-consumption solar farm in a European airport, boosting sustainability and energy independence.



ADR: Rome Fiumicino Airport's new Solar Farm unveiled 55,000 ...

di Roma - a Mundys Group's company - to build strategic infrastructures, while fully respecting the surrounding environment and significantly reducing emissions. The Solar Farm is a perfect example of how airport ...

Enel X wins tender to build solar

plant at Rome airport

To be located parallel to the airport's third runway, the solar plant will include 55,000 solar panels, housing structures, cabins and cable ducts, and will cover an area of 340,000m².



Rome's Fiumicino sets a new record for the biggest airport solar farm

Passengers flying into Rome, which welcomes 50 million passengers a year, will be treated to a bird's eye view of the 55,000 solar panels. They are installed along the eastern side of runway

Memphis football transfer portal live tracker for 2026 roster

Memphis Tigers football players new coach Charles Huff is adding and losing in the transfer portal for the 2026 roster

Support Customized Product



Regional One looks to build new hospital at old Commercial Appeal site

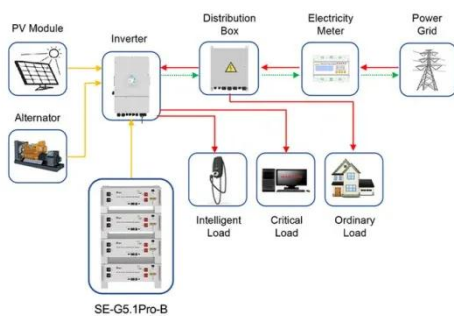
Regional One Health is trying to purchase the old Commercial Appeal building for the rebuilding of the



hospital.

Rome Fiumicino opens solar farm to curb airport emissions

ROME, Jan 20 (Reuters) - The operator of Rome's Fiumicino airport on Monday opened a solar farm built by energy group Enel (ENEL.MI) and network service provider Circet which is designed to



Application scenarios of energy storage battery products

Obituaries in Memphis, TN , The Commercial Appeal

Memphis Commercial Appeal obituaries and death notices. Remembering the lives of those we've lost.

Rome Fiumicino Airport unveils Europe's largest solar farm: A

On 20 January 2025, Rome Fiumicino Airport's (FCO) new solar farm was unveiled: located along the eastern side of Runway 3, it extends for almost 2.5km

and represents a unique infrastructure in the ...

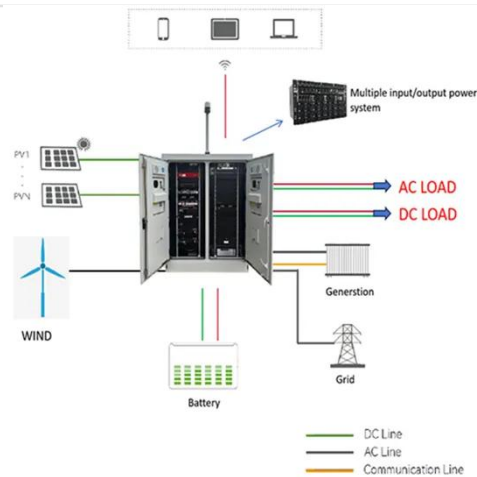


Memphis News

Local, politics, breaking news for Memphis, Tennessee and the Mid-South from The Commercial Appeal.

The Commercial Appeal

News, crime, weather, photos, video, Memphis Grizzlies, Memphis Tigers and sports for Memphis, Tennessee, and the Mid-South from The Commercial Appeal.



The Commercial Appeal eNewspaper

This full replica of our printed product provides you the newspaper as you know and love it from the convenience of the web.



Memphis officials sue Tennessee leaders as task

In the lawsuit, obtained by The Commercial Appeal, multiple plaintiffs, all elected officials, claim the deployment of the National Guard violates the Tennessee Constitution.



Rome's Fiumicino Airport unveils 22-MWp self-consumption solar farm

Italian airport operator Aeroporti di Roma (ADR) on Monday inaugurated a 22-MWp solar farm at Rome Fiumicino Airport as part of a broader plan to advance renewable energy and sustainable mobility at ...

Giant new solar farm unveiled at Rome's Fiumicino Airport

Aeroporti di Roma (ADR) today inaugurated its new solar farm, which

instantly becomes one of the largest photovoltaic systems in the world within an airport perimeter. The solar farm is located along the ...



Fiumicino News: Rome Airport Unveils Massive 22 ...

In significant Fiumicino news, Aeroporti di Roma (ADR) has inaugurated a massive PV plant at Rome Fiumicino Airport.

Commercial Solar Systems

LZY Energy delivers customized, grid-tied solar power systems specifically designed for commercial buildings. We go beyond just solar panels, offering integrated energy storage solutions for reliable backup power and ...



Contact Us

For catalog requests, pricing, or partnerships, please visit:
<https://www.scelto.co.za>

