

# Distributed energy resource management

**LFP12V100**



## Distributed energy resource management

---

### Distributed Energy Resources

DOE is helping policymakers, regulators, utilities, and stakeholders address challenges by coordinating best practices to enable the utilization of distributed energy resources (DERs). All of ...



### Distributed Energy Resources 101

Distributed Energy Resources are small, localized power and storage technologies that improve energy reliability, reduce costs and support a resilient clean grid.



Support Customized Product



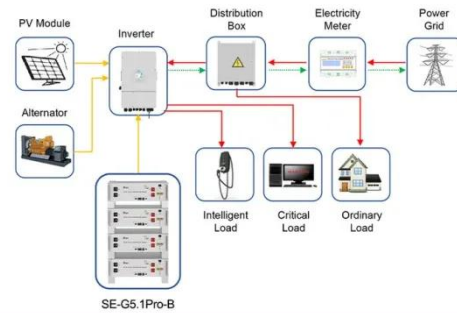
### Distributed Energy Resources: Technology for Affordable, Resilient

DERs can empower communities and customers to generate and manage their own energy, lower energy bills, increase grid reliability and flexibility, and reduce fossil fuel use, thereby ...

### Distributed Energy Resource

## Management System (DERMS)

Distributed Energy Resource Management Systems (DERMS) enable real-time monitoring, optimization, and control to enhance grid stability and efficiency. DERMS supports the seamless integration of ...



Application scenarios of energy storage battery products



## Distributed Energy Resources: A Systematic Literature Review

In this systematic literature review, we explored the deployment of Distributed Energy Resource management systems across various countries, analyzing the lessons learned and future ...

## Distributed Energy Resource Management Systems

Distributed Energy Resource Management Systems NLR is leading research efforts on distributed energy resource management systems so utilities can efficiently manage consumer ...



## Distributed Energy Resources (DERs): Types & Benefits

Explore how Distributed Energy Resources enhance grid resilience, lower costs, and promote renewable energy

adoption, transforming energy management for businesses and communities.



---

### What is a Distributed Energy Resource Management System? , CGI US

What are distributed energy resource management systems? DERMS - short for Distributed Energy Resource Management System - is a technology system that controls and optimizes the flow of ...



---

### Utility Strategies for Implementing Distributed Energy Resource

Distributed energy resource management systems (DERMS) are the monitoring and control systems used to integrate distributed energy resources (DER)--such as solar photovoltaics (PV), battery ...

---

**Contact Us**

For catalog requests, pricing, or partnerships, please visit:  
<https://www.scelto.co.za>

