

Does the solar inverter make any noise



Does the solar inverter make any noise



Do Solar Inverters Make Noise?

Learn about the noise levels of solar inverters, what causes them to make noise, and how to choose a quieter model for a more comfortable home environment.

Do Solar Inverters Make Noise?

The short answer is yes, solar inverters can produce audible noise, though the level of sound varies significantly depending on the inverter's design, size, and the amount of power it is ...



Solar Panel Inverter Humming Noise Causes and Solutions

High-quality solar inverters are usually noise free because they are made of electronic components and are not equipped with a transformer. On the other hand, older or cheaper inverters ...



Understanding Noise from Solar Inverters: What Homeowners Should

...

Most modern inverters emit a low hum or gentle buzzing sound during peak operation, especially when actively converting large amounts of solar energy on sunny days.



Data Report: Typical dB Levels from Inverters and Fans

Most solar inverters operate in a range of 25-55 dB, which is relatively quiet. For perspective, a quiet whisper is around 30 dB, while a normal conversation is about 60 dB.

Are Solar Inverters Noisy? The Truth About Solar Inverter Noise

It's important to remember that solar panels don't produce any sound; it's the inverter that may create noise. The sound level can change depending on the load on the inverter, so it's ...



Does solar inverter make noise?

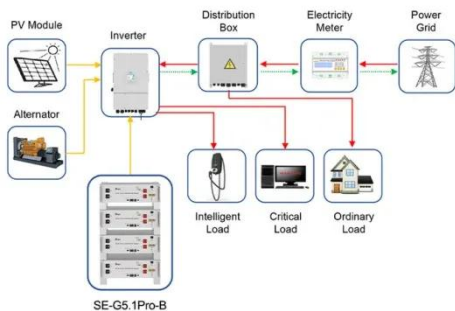
The noise level of a solar inverter is typically measured in ...



- IP65/IP55 OUTDOOR CABINET
- OUTDOOR CABINET WITH AIR CONDITIONER
- OUTDOOR ENERGY STORAGE CABINET
- 19 INCH

Understanding Solar Inverter Noise: Causes, Solutions, and FAQs

While solar inverters are designed to operate quietly, a faint hum, occasional clicking, or low buzzing is perfectly normal under most conditions. Understanding what causes these noises and ...



Application scenarios of energy storage battery products

Does solar inverter make noise?

The noise level of a solar inverter is typically measured in decibels (dB), with quieter inverters producing around 40-50 dB of noise. In comparison, a typical conversation is around 60 ...

Do Solar Inverters Make Noise? 7 Surprising Facts!

While solar panels themselves are virtually silent, converting sunlight into electricity with no moving parts, the

heart of your solar system - the inverter - can produce some sound. ...



Inverter Making Noise? Common Causes and Solutions , Mingch

Yes, it is normal for a solar inverter to make some noise. However, if the inverter sound is unusually loud or high-pitched, it might indicate a technical issue. In this article, we explain why your ...

Contact Us

For catalog requests, pricing, or partnerships, please visit:
<https://www.scelto.co.za>

