

Dominican communication base station inverter 418kWh



Dominican communication base station inverter 418kWh



INSTALLATION OF INVERTER FOR PHOTOVOLTAIC POWER ...

This is an off-grid solar inverter combined with the functions of an inverter, MPPT solar charger, and battery charger to offer stable power output. 1KW off-grid PV inverter with built-in 40A MPPT solar ...

Dominican communication base station industrial and commercial ...

Dominican communication base station inverter 418KWh GSL-BESS-418K is an all-in-one 80kVA 418kWh liquid-cooled Battery Energy Storage System (BESS), engineered for industrial and ...



COMMUNICATION BASE STATION INVERTERS ARE GETTING ...

How much battery capacity does the base station use? The average battery capacity required by a base station ranges from 15 to 50 amp-hours (Ah), depending on the base station's operational demands ...

BEST THREE PHASE OFF GRID

INVERTER IN DOMINICAN ...

In our comparison of the best 5kW hybrid solar inverters, BSLBATT's 5kW inverter BSL-5K-2P performs best with a maximum efficiency of 98% and a European efficiency of 97%, while the majority of ...

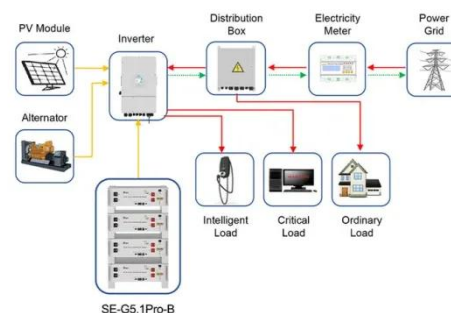


Dominican, Worldwide

Highjoule offers a wide range of energy storage solutions including C& I energy storage systems, base station storage, home energy storage, and more. They provide customized products and support for ...

DOMINICAN COMMUNICATION BASE STATION INVERTER 418KWH

An improved base station power system model is proposed in this paper, which takes into consideration the behavior of converters. And through this, a multi-faceted assessment criterion that considers both ...



Application scenarios of energy storage battery products

HOW ABOUT THE SOLAR ENERGY STORAGE INVERTER FOR ...

What are the new energy storage base stations in the Dominican Republic Construction has started on the first

major solar-plus-storage project in the Dominican Republic, which features a ...

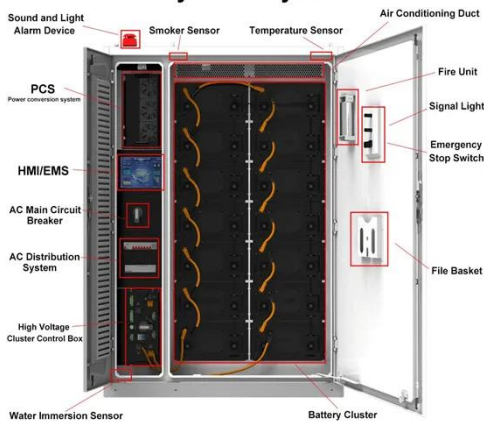


Dominican communication base station energy storage system ...

Dominican communication base station inverter 418KWh GSL-BESS-418K is an all-in-one 80kVA 418kWh liquid-cooled Battery Energy Storage System (BESS), engineered for industrial and ...



System Layout



Dominican communication base station energy storage battery ...

Powered by SolarGrid Solutions Page 3/3
 Dominican communication base station energy storage battery installation
 Contact Us For catalog requests, pricing, or partnerships, please visit: ...

Contact Us

For catalog requests, pricing, or partnerships, please visit:
<https://www.scelto.co.za>

