

EU Smart Photovoltaic Energy Storage Container 200kWh



EU Smart Photovoltaic Energy Storage Container 200kWh



Smart Photovoltaic Energy Storage Container 200kWh 2026 Model

What is 200kwh battery storage? This 200kwh battery storage provides a robust, scalable solution for reducing energy costs and supporting renewable energy integration.

SMART PHOTOVOLTAIC ENERGY STORAGE CONTAINER

FTMRS SOLAR specializes in photovoltaic power generation, solar energy systems, lithium battery storage, photovoltaic containers, BESS systems, commercial storage, industrial storage, PV ...



200kwh LiFePO4 Battery Solar Power System Container Energy Storage

Currently our best-selling products are lithium batteries 12V, 24V 50-400AH which can directly replace lead-acid batteries, and rack-mounted batteries 48V 100AH. We have strong ...



European Stock 100kW/200kWh C&I

Energy Storage Cabinet All-in ...

Our 100kW/200kWh Commercial & Industrial Energy Storage Cabinet is now available from European stock, enabling fast delivery and rapid deployment for factories, commercial buildings, data centers, ...



200kwh Solar Energy Storage System with Smart EMS Control

Protection Class:IP65 Cooling:Air Cooling
Product name:solar container system
Battery:Lifepo4 Lithium Battery Solar panel:Mono Solar Panel Application:Solar Energy Storage Systems System Type:Off ...

Energy Storage System Products List , HUAWEI Smart PV Global

Energy Storage System Products List covers all Smart String ESS products, including LUNA2000, STS-6000K, JUPITER-9000K, Management System and other accessories product series.



ALUMERO systems -- solarfold

The innovative and mobile solar container contains 200 photovoltaic modules with a maximum nominal output of 134 kWp and, thanks to the



lightweight and environmentally friendly aluminum rail system, ...

Amsterdam photovoltaic folding container 200kWh supplier

High-efficiency Mobile Solar PV Container with foldable solar panels, advanced lithium battery storage (100-500kWh) and smart energy management. Ideal for remote areas, emergency rescue and ...

Utility-Scale ESS solutions



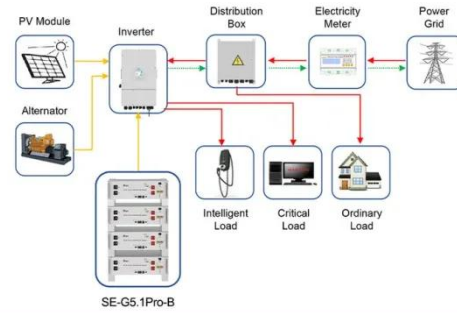
European EK Energy Storage Container: Applications and Industry ...

Summary: Discover how European EK energy storage containers revolutionize renewable energy integration across industries. Explore market trends, technical advantages, and real-world ...

200KWH ENERGY STORAGE CABINET 200KWH PV ENER CUBE

Photovoltaic energy storage cabinets are designed specifically to store energy generated from solar panels, integrating

seamlessly with photovoltaic systems.
[pdf]



Application scenarios of energy storage battery products

Contact Us

For catalog requests, pricing, or partnerships, please visit:
<https://www.scelto.co.za>

