

# Energy storage power supply company takes goods

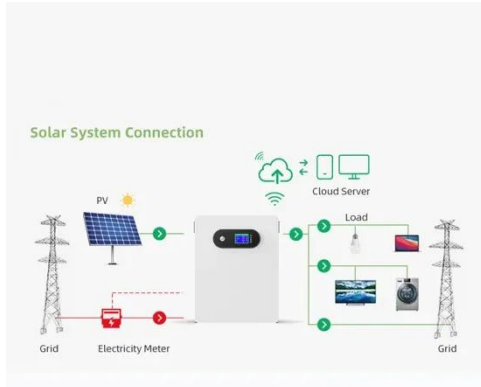


## Overview

---

- J— Generac Power Systems (NYSE: GNRC), a leading global designer, manufacturer and provider of energy technology solutions and other power products, today announced the acquisition of PowerPlay Battery Energy Storage Systems, a division of SunGrid. WAUKESHA, Wis. news about the role of transmission system operators (TSO) in the industry. System integrator Fluence saw revenue of US\$475. 2 million in the last quarter of 2025, while its net loss grew. by an agency of the U. Government nor any agency thereof, nor any of their employees, makes any warranty, expressed or implied, or assumes any legal liability or responsibility for the accuracy, completeness, or usefulness, of any information, apparatus, product, or. Energy storage solutions and power purchase agreements (PPAs) are pivotal for industrial energy consumers aiming to optimize their operations and reduce costs. Energy storage systems enable businesses to store excess energy, especially during periods of low demand or when renewable sources.

## Energy storage power supply company takes goods



### Evaluating energy storage tech revenue potential , McKinsey

While energy storage is already being deployed to support grids across major power markets, new McKinsey analysis suggests investors often underestimate the value of energy storage ...

### Using liquid air for grid-scale energy storage

Liquid air energy storage could be the lowest-cost solution for ensuring a reliable power supply on a future grid dominated by carbon-free yet intermittent energy sources, according to a new ...

#### HEAT DISSIPATION

Cold aisle containment, making optimal refrigeration effect;



### MIT Climate and Energy Ventures class spins out entrepreneurs -- ...

In MIT course 15.366 (Climate and Energy Ventures) student teams select a technology and determine the best path for its commercialization in the energy sector.

Energy-Storage.news Premium speaks with Noon Energy co-founder and CEO Chris Graves about the company's approach to long-duration energy storage.



### **Introducing the MIT-GE Vernova Climate and Energy Alliance**

The MIT-GE Vernova Climate and Energy Alliance, a five-year collaboration between MIT and GE Vernova, aims to accelerate the energy transition and scale new innovations.

### **New facility to accelerate materials solutions for fusion energy**

The new Schmidt Laboratory for Materials in Nuclear Technologies (LMNT) at the MIT Plasma Science and Fusion Center accelerates fusion materials testing using cyclotron proton beam ...



### **A new approach could fractionate crude oil using much less energy**

MIT engineers developed a membrane that filters the components of crude oil by their molecular size, an advance that could dramatically reduce the amount of

energy needed for crude oil ...



---

### **Comprehensive review of energy storage systems technologies, ...**

This paper presents a comprehensive review of the most popular energy storage systems including electrical energy storage systems, electrochemical energy storage systems, mechanical ...



---

### **Generac Expands Energy Storage Solutions with Acquisition**

SunGrid Solutions will continue its energy storage EPC operations across the United States and Canada, specializing in solutions ranging from 10 MWh to 1 GWh. The transaction closed ...

---

### **Battery Energy Storage Systems Report**

Summary: Presence of PRC in Combined BESS Supply Chain . 43 Supply Chain Analysis Challenges: Commonality and Sources 43 Threats, Vulnerability, ...



### Applications



### MIT Energy Initiative conference spotlights research priorities amidst

At the MIT Energy Initiative's Annual Research Conference, industry leaders agreed collaboration is key to advancing critical technologies amidst a changing energy landscape.

### A 2025 Update on Utility-Scale Energy Storage Procurements

While the energy storage market continues to rapidly expand, fueled by record-low battery costs and robust policy support, challenges still loom on the horizon--tariffs, shifting tax incentives, ...



### Making clean energy investments more successful

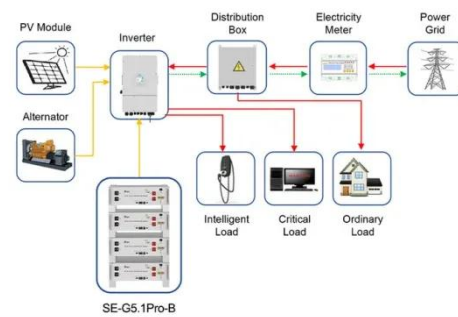
New research emphasizes the importance of well-validated models and

forecasting tools in evaluating choices for investments in clean energy technologies and policies by governments and ...



### Key Considerations for Utility-Scale Energy Storage Procurements

Like transmission, energy storage can help to manage supply and demand over broad areas of the electric system because it can provide both generation and load by converting excess ...



Application scenarios of energy storage battery products



### How artificial intelligence can help achieve a clean energy future

A look at how AI can be used to help support the clean energy transition by helping to manage power grid operations, plan infrastructure investments, guide the development of novel ...

### Unlocking the hidden power of boiling -- for energy, space, and beyond

Unlocking its secrets could thus enable advances in efficient energy production,

electronics cooling, water desalination, medical diagnostics, and more. "Boiling is important for ...



## Energy Storage and Power Purchase Agreements for Industrial Energy

The integration of energy storage with power purchase agreements presents a remarkable opportunity for industrial energy consumers to maximize their operational efficiency and ...

## Explained: Generative AI's environmental impact

MIT News explores the environmental and sustainability implications of generative AI technologies and applications.



## A 2024 Update on Utility-Scale Energy Storage Procurements

This Insight comes to you at the turning of the tide: after a period of increased pricing and supply chain disruptions, we are starting to see a return to reliable

supply and declining prices in the ...



---

### **Tesla Strikes \$4.3B Battery Supply Deal With LG Energy For Storage ...**

South Korea's LG Energy Solution (LGES) has reportedly signed a \$4.3 billion deal to supply Tesla with lithium iron phosphate (LFP) batteries, which will be used in Tesla's expanding energy



---

## **Contact Us**

For catalog requests, pricing, or partnerships, please visit:  
<https://www.scelto.co.za>

