

# Exterior wall photovoltaic panels for power generation



## Overview

---

Solar siding is a building-integrated photovoltaic (BIPV) system that combines traditional exterior wall cladding with solar energy generation capabilities. Market Growth Acceleration: The BIPV market is experiencing explosive growth, projected to reach \$89. 2% CAGR, driven by advancing technology, cost reductions, and increasing sustainability mandates in building codes. PV systems can generate electricity at remote utility-operated "solar farms" or be placed directly on buildings themselves. In the winter, the excess heat. Mitrex solar wall panels are an innovative BIPV solution designed to minimize energy consumption, heating costs and carbon emissions throughout the colder months of the year. by using 300Watt from Solar Panels (ave. 5% of electric bills for an average home), 1200kwh/yr.

## Exterior wall photovoltaic panels for power generation

---



### **SOLAR SIDING , solstruction**

Solar Siding is a prefabricated, all-in-one system that integrates all the layers of the wall with a power generating exterior material. The perforated metal skin helps ventilate the cavity of the wall - helping ...

### **Building Integrated Photovoltaics (BIPV) , WBDG**

For building installations, PV systems fall into two categories, building applied photovoltaics (BAPV) and building integrated photovoltaics (BIPV). BAPV is the more common type of installation, with the ...



### **Solar Wall Panels for EPCs, Contractors and Installers**

From pre-panelized and prefabricated wall assemblies to slab-to-slab connections or embedding into curtain walls and window walls, our cladding solution has been incorporated into projects around the ...

## **Solar Facade Cladding System , BIPV , Solstex by Elemex**

The system uses a high-performance BIPV solar panel that doubles as exterior cladding. Unlike rooftop systems, it requires no additional mounting and integrates seamlessly with the architecture.



## **Building Integrated Photovoltaics (BIPV) , WBDG**

Solar Siding is a prefabricated, all-in-one system that integrates all the layers of the wall with a power generating exterior material. The perforated metal skin helps ventilate the cavity of the wall - helping ...

## **Plug and Play Solar - pluggedsolar**

When the sun shines, the Solar panel set will produce DC voltage, and the micro grid tie inverter transforms the DC voltage to AC voltage, synchronizing with the utility grid power. It puts out power ...



## **Solar panels on the facade as an aesthetic energy solution**

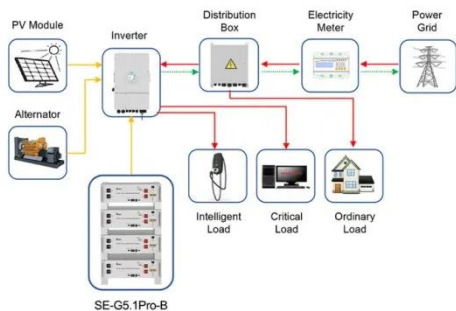
What are solar facades? Solar panels on



the facade are special photovoltaic panels that are integrated directly into the facade of a building. This innovative system not only offers a sustainable energy ...

### Wall-Mounted Wonders: The Role of Solar Panels in Transforming ...

Explore the transformative power of vertical wall solar panels in urban architecture. Discover how these innovative installations address space constraints on rooftops, enhance building ...



Application scenarios of energy storage battery products

### How to use solar panels mounted on exterior walls , NenPower

To effectively utilize solar panels mounted on exterior walls, follow these guidelines: 1. Evaluate the structure's orientation and shading to maximize sunlight...

### Solar Siding: Complete Guide To BIPV Systems

Comprehensive guide to solar siding: types, costs, installation, vs traditional panels. Compare top manufacturers, ROI

analysis & 2025 incentives.



### Wall-Mounted Solar Panels

Discover the power of wall-mounted solar panels for your home. Learn how to install and maximize solar energy with expert tips and advice.

## Contact Us

For catalog requests, pricing, or partnerships, please visit:  
<https://www.scelto.co.za>

