

Green cell lifepo4 50ah



Green cell lifepo4 50ah



Green Cell CAV06 Battery LiFePO4 12.8V 50Ah PP3 BMS Efficient ...

The Green Cell CAV06 is a non-standard rechargeable battery featuring a LiFePO4 chemistry with a rating of 12.8 V and 50 Ah capacity. It is ideal for industrial applications where a reliable and long ...

LiFePO4 battery 50Ah 12.8V 640Wh lithium iron phosphate

Green Cell LiFePO4 50Ah 12.8V 640Wh LFP Lithium-iron-phosphate 12V with BMS for solar panels, campers, boats, RV, Camping



Green Cell LiFePO4 50Ah 12.8V Battery 640Wh Lithium Battery ...

Green Cell LiFePO4 50Ah 12.8V Battery 640Wh Lithium Battery 12V Built-in BMS, 10 Year Service Life, Over 5500+ Cycles, Perfect for Motorhome, Solar System, Boat, Solar Off-Grid



GREEN CELL Lithium battery, LiFePO4, 12.8 V, 50 Ah , LiFePO4 ...

Lithium battery, LiFePO₄, 12.8 V, 50 Ah
LiFePO₄ batteries by GREEN CELL -
Reliable delivery favourable prices For
business and private Order online at
reichelt elektronik now!



Green Cell LiFePO₄ 50Ah 3.2V Rechargeable Battery

3.2-50 green cell lifepo4 50Ah 3.2V
rechargeable prismatic lifepo4 battery
cell Nominal Capacity: 50Ah Nominal
Voltage: 3.2V DC Internal Resistance:
<=2.5m Ω Energy Density: >=175Wh/kg
Weight: ...

LiFePO₄ Batteries

Green Cell CUBE LiFePO₄ leisure battery
50Ah 12.8V 640Wh solar battery for
Camper, Golf cart, Wind power plant,
Foodtruck 174,95 EUR Add to cart Find
out more



LiFePO₄ 50ah Battery Cell Gbs Green Energy

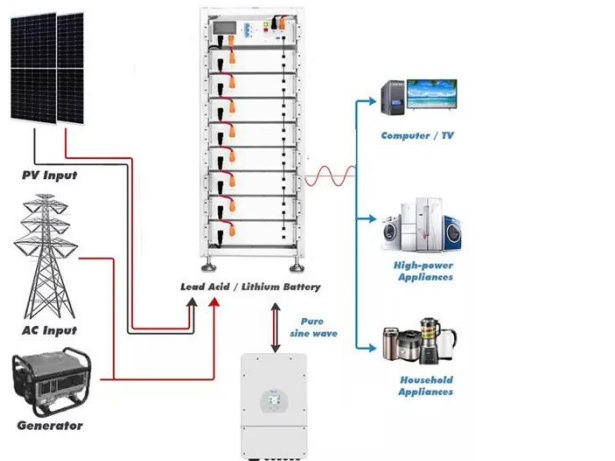
LiFePO₄ 50ah Battery Cell Gbs Green
Energy, Find Details and Price about 12V
50ah S LiFePO₄ Cell Lithium Ion for EV

50ah S LiFePO4 Cell Lithium Ion for EV/
Backup P from LiFePO4 ...



**Green Cell LiFePO4 12.8V 50Ah
640Wh battery for solar panels ...**

LiFePO4 - the NEW generation of long life batteries and replacement of Lead Acid batteries. Better for your wallet, much more energy, light weight and better for the environment. Battery type: LiFePO4 ...



**Battery Green Cell LiFePO4 12V
50Ah**

Green Cell LiFePO4 Battery 12V 12.8V 50Ah for photovoltaic system, campers and boats Product code: CAV05 EAN: 5907813966088 Technical data: Lithium iron phosphate battery is characterised by ...

Contact Us

For catalog requests, pricing, or partnerships, please visit:

<https://www.scelto.co.za>

