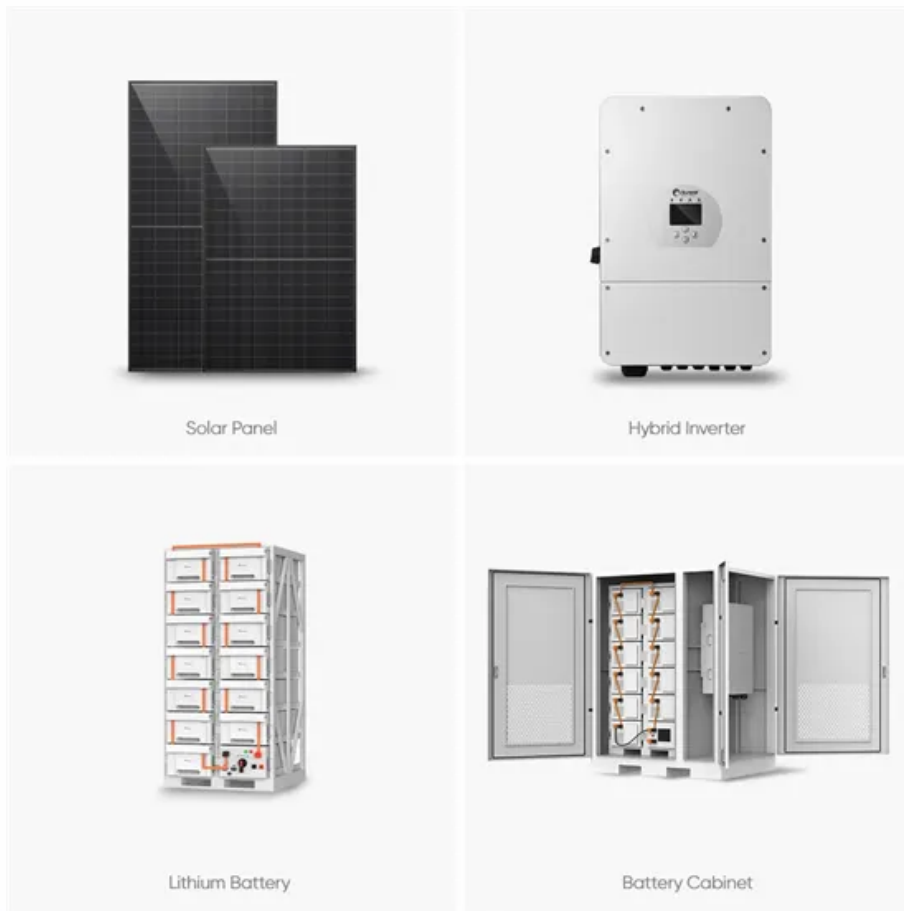


Guatemala 20kW off-grid solar energy storage cabinet grid inverter company



Guatemala 20kW off-grid solar energy storage cabinet grid inverter



20KW Cabinet-Type Off-Grid Home Solar Energy Storage System ...

20KW Cabinet-Type Off-Grid Home Solar Energy Storage System with 45KWh Battery & Monocrystalline Silicon MPPT

20KW 48V Split Phase Solar Inverter

? Parallel Kit: Parallel 6 units up to 48KW power output, you will get 120V single phase / 120V/240V Split Phase or 208V 3-Phase Support (more than 3 unit in parallel), increases the ...



20kW Off Grid Solar Inverter, 220V , Power Home

This 20kW off-grid inverter will be your perfect choice! The built-in MPPT ...

20kW Off Grid solar system (38.4kWh)

Inverter and Charge Controller: Install a powerful 20kW inverter and charge controller to handle the maximum energy output. Battery Bank: Include a large battery bank with a total capacity of 100kWh ...



20 kW Solar Kits

These 20 kW size grid-connected solar kits include solar panels, DC-to-AC inverter, rack mounting system, hardware, cabling, permit plans and instructions. These are complete PV solar power ...

Sunchees 20kW Off-Grid Solar Power System , Solar Farm Kit , Solar

Experience reliable off-grid energy with the Sunchees 20kW Solar Power System -- includes 600W solar panels, 108kWh LiFePO4 battery, MPPT charge controller, and hybrid inverter.



20KW off grid solar inverter 220VAC 120VAC single phase

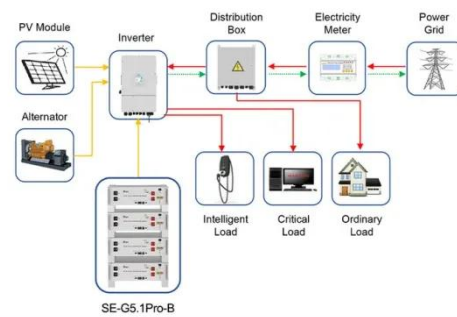
Unlock the Power of Inverter & Off-grid Solar Energy: Get a Free Quote and



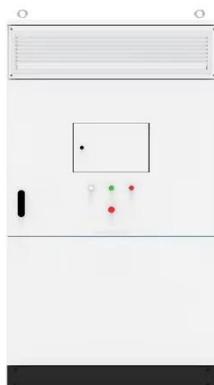
Expert Guidance Today. Whether you're looking to install an off-grid solar system or upgrade your existing inverter, our team ...

Guatemala 20kW Energy Storage Solution: Powering Progress with ...

In Guatemala, where unstable grids and rising energy costs hit businesses hard, a 20kW energy storage solution isn't just an option--it's a lifeline. Think hotels in Antigua, coffee processing plants in ...



Application scenarios of energy storage battery products



20KW 48V Split Phase Solar Inverter

? Parallel Kit: Parallel 6 units up to 48KW power output, you will get 120V single phase / 120V/240V Split Phase or 208V 3-Phase Support (more than 3 unit in parallel), increases the inverter power and ...

20kW Off Grid Solar Inverter, 220V , Power Home

This 20kW off-grid inverter will be your perfect choice! The built-in MPPT controller is 192V100A, with a PV

operating voltage input range of 260V-420V in two circuits of up to 10kW each.



20kW Off-Grid Solar System , Large-Scale Energy ...

A robust 20kW off-grid solar system for farms, workshops, or large homes. Battery backup and high efficiency. Get a free quote today!

20kW Pure Sine Wave Off Grid Solar Inverter

With a power capacity of 20 kW, this solar inverter is capable of handling significant electrical loads, making it suitable for larger homes, small businesses, or remote facilities with substantial power needs.



Contact Us

For catalog requests, pricing, or partnerships, please visit:
<https://www.scelto.co.za>

