

How much electricity does 100w of solar photovoltaic power generation generate



Overview

A 100-watt solar panel installed in a sunny location (5.79 peak sun hours per day) will produce 0. That's not all that much, right?

However, if you have a 5kW solar system (comprised of 50 100-watt solar panels), the whole system will produce 21.71 kWh/day at this. The term "100W" refers to the maximum power output of the solar panel under ideal conditions, specifically when exposed to full sunlight (approximately 1000 watts per square meter). However, actual power generation can vary based on several factors. Obviously, the more sun you get, the more kWh a solar panel will produce. How much electricity can a 100w solar panel generate?

A 100W solar panel can produce an estimated 300 to 400 watt-hours (Wh) daily, depending on sunlight availability, panel efficiency, and climatic factors. Most residential panels in 2025 are rated 250-550 watts, with 400-watt models becoming the new standard. With rising energy costs and growing interest in renewable energy, homeowners and outdoor enthusiasts need accurate insights into energy production. We will also calculate how many kWh per year do solar panels.

How much electricity does 100w of solar photovoltaic power genera



How Much Power Does A 100 Watt Solar Panel Produce?

Does a 100 watt solar panel produce 100 watts of power?? In general, with irradiance of 4 peak-sun-hours per day, a 100 watt solar panel can produce about 400 watt-hours (Wh) of energy ...

How Much Power from a 100W Solar Panel: Myths and Facts

Learn how much power a 100W solar panel generates, explore common myths, downsides, and FAQs to make informed solar energy decisions.



How Many Kwh Does a 100W Solar Panel Produce?

How Much Power Can a 100 Watt Solar Panel Produce? A 100W solar panel can yield up to 100 watts an hour. However this is the maximum output the panel can produce in ideal conditions. In real world ...



How Much Energy Does A Solar

Panel Produce?

To cover the average U.S. household's 900 kWh/month consumption, you typically need 12-18 panels. Output depends on sun hours, roof direction, panel technology, shading, temperature ...

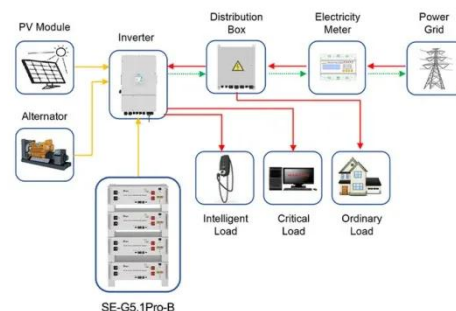


Solar Power Calculator Guide: How Much Energy Can a 100W Solar ...

A standard 100w solar panel under ideal conditions generates roughly 400 to 500Wh per day. Using a solar power calculator, users can estimate energy needs for specific devices. Suitable for charging ...

Solar Panel kWh Calculator: kWh Production Per Day, Month, Year

We made a quick calculation for small 100W panels with the Solar Output Calculator. A single small 100W solar panel in California will generate an estimated electrical output of 164,25 kWh per year.



Application scenarios of energy storage battery products

How much Power does 100W, 500W and 1000W Solar Panel Produce?

To sum up, how much power 100W, 500W, and 1000W solar panel produces

can vary from 300 to 1200 Watt, depending on their efficiency and exposure to sunlight. Which panel you ...



How Many kWh Does A Solar Panel Produce Per Day? Calculator

For 1 kWh per day, you would need about a 300-watt solar panel. For 10kWh per day, you would need about a 3kW solar system. If we know both the solar panel size and peak sun hours at our location, ...



How much electricity can a 100w solar panel generate?

A 100W solar panel can produce an estimated 300 to 400 watt-hours (Wh) daily, depending on sunlight availability, panel efficiency, and climatic factors. 1. Fac...

Solar Panel Output Calculator by Wattage , SolarMathLab

Knowing how much energy your solar panels can generate is key to designing an efficient solar system. The wattage

rating of a panel (for example, 400W) represents its power output under ideal test ...

50KW modular power converter



Contact Us

For catalog requests, pricing, or partnerships, please visit:
<https://www.scelto.co.za>

