

# How to produce photovoltaic glass raw panels



## Overview

---

The process of manufacturing solar glass involves melting raw materials, forming sheets of glass, and applying an anti-reflective coating. Learn why EK SOLAR leads in sustainable solutions. Photovoltaic (PV) glass is the backbone of solar panels, enabling sunlight. How is solar glass made?

1. These materials undergo significant heating to produce the molten glass. After. The photovoltaic industry encompasses a broad range of activities, from the production of raw materials to the assembly of solar panels. Today, photovoltaic technology is a. This transparent armor starts its life as ordinary sand, undergoing a transformation that would make Cinderella's fairy godmother jealous. Ever wondered how the shiny surface of your solar panels withstands decades of sun punishment while maintaining clarity?

Let's pull back the curtain on. Photovoltaic glass, also known as solar glass, is a type of glass that is used to generate electricity through solar energy. But have you ever wondered how.

## How to produce photovoltaic glass raw panels

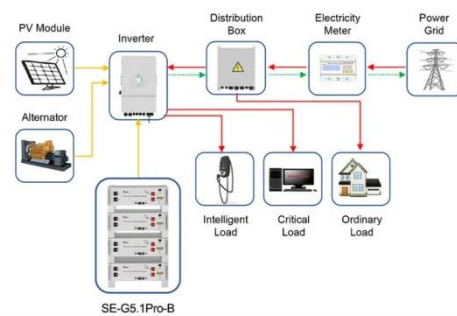


### Raw Materials Used for Photovoltaic Glass: A Complete Guide

Photovoltaic (PV) glass is the backbone of solar panels, enabling sunlight absorption while protecting delicate solar cells. But what goes into making this critical material?

### How Photovoltaic Panel Glass is Produced: A Behind-the-Scenes ...

From molten lava baths to high-tech coatings, photovoltaic panel glass production combines materials science with precision engineering - all to harness sunlight that's been traveling through space for 8 ...



Application scenarios of energy storage battery products

 TAX FREE

**Product Model**

HJ-ESS-215A(100KW/215KWh)  
HJ-ESS-115A(50KW 115KWh)

**Dimensions**

1600\*1280\*2200mm  
1600\*1200\*2000mm

**Rated Battery Capacity**

215KWH/115KWH

**Battery Cooling Method**

Air Cooled/Liquid Cooled



ENERGY STORAGE SYSTEM

### how to make photovoltaic glass >> Basengreen Energy

Photovoltaic glass is made using a process called "solar cell integration". This involves embedding photovoltaic cells into the glass during the manufacturing process. The cells are typically made from ...

## Photovoltaic Manufacturing

## Processes Explained

Discover the intricacies of photovoltaic manufacturing processes and the materials used in the production of solar cells and panels.



### How is solar glass made? , NenPower

The intricate processes involved in the production of solar glass are essential to the advancements in solar energy technology. From raw material selection and preparation to the ...

## Solar Photovoltaic Manufacturing Basics

The manufacturing typically starts with float glass coated with a transparent conductive layer, onto which the photovoltaic absorber material is deposited in a process called close-spaced sublimation.



### Exploring the Future: Innovations in Glass Manufacturing for Solar Panels

The process of manufacturing solar glass involves melting raw materials, forming

sheets of glass, and applying an anti-reflective coating. The quality of the glass used can greatly affect the ...



- ✓ 50KW/100KWH
- ✓ HIGHER POWER OUTPUT IN OFF-GRID MODE
- ✓ CONVENIENT OPERATION & MAINTENANCE
- ✓ PRE-WIRED

## Solar Panel Manufacturing Process: Step-by-Step Guide

Complete solar panel manufacturing process - from raw materials to a fully functional solar panel. Learn how solar panels are made in a solar manufacturing plant, including silicon wafer ...



## Solar Panel Manufacturing Process: 7 Key Steps Explained 2025

Learn the 7 essential steps in solar panel manufacturing process, from silicon purification to final assembly. Complete industry guide.

## How photovoltaic glass is made

But have you ever wondered how photovoltaic glass is made? The production of photovoltaic glass involves several stages, beginning with glass

manufacturing. The glass used for ...

- LiFePO<sub>4</sub> Battery, safety*
- Wide temperature: -20~55°C*
- Modular design, easy to expand*
- The heating function is optional*
- Intelligent BMS*
- Cycle Life: > 6000*
- Warranty: 10 years*



---

## Contact Us

For catalog requests, pricing, or partnerships, please visit:  
<https://www.scelto.co.za>

