

Market Price of Dutch Modular Energy Storage Cabinets Vertical Type



Overview

This report provides a comprehensive view of the global market for Modular Lithium Energy Storage Cabinet, covering total sales volume, sales revenue, pricing, the market share and ranking of key companies, along with analyses by region & country, by Type. This report provides a comprehensive view of the global market for Modular Lithium Energy Storage Cabinet, covering total sales volume, sales revenue, pricing, the market share and ranking of key companies, along with analyses by region & country, by Type. As the Netherlands accelerates its transition to renewable energy, Dutch energy storage systems have become critical for balancing grid demands and optimizing solar/wind power. Whether for residential, industrial, or utility-scale projects, costs vary widely based on capacity, technology, and use. Modular liquid-cooled energy storage outdoor cabinets are gaining traction across industries requiring high-density energy storage, rapid thermal management, and scalability. Renewable energy integration is a primary driver, particularly in solar and wind power projects. The potential shifts in the 2025 U. (2) DH200Y intelligent liquid cooling all-in-one machine. Market energy structure:. Multi-dimensional use, stronger compatibility, meeting multi-dimensional production and life applications High integration, modular design, and single/multi-cabinet expansion Zero capacity loss, 10 times faster multi-cabinet response, and innovative group control technology Meet various industrial.

Market Price of Dutch Modular Energy Storage Cabinets Vertical Typ



Cabinet Energy Storage System , VREMT

Discover our high-efficiency, modular battery systems with zero capacity loss and rapid multi-cabinet response. Ideal for industrial, commercial, and emergency applications, our solutions offer remote ...

How Much Does a Dutch Energy Storage System Cost? A 2024 Price

...

Exploring the costs, applications, and trends shaping energy storage solutions in the Netherlands.



✓ TELECOM CABINET

✓ BRAND NEW ORIGINAL

✓ HIGH-EFFICIENCY

Modular Liquid-Cooled Energy Storage Outdoor Cabinet Market

The modular liquid-cooled energy storage outdoor cabinet market demonstrates a clear trend toward vertical integration, driven by the need for cost control, supply chain resilience, and ...

Energy Storage Enclosures/Cabinets

, Modular Design to Meet ...

We offer indoor and outdoor solutions based on different climatic conditions, ensuring the durability and reliability of the enclosures. With an integrated vertical manufacturing approach, we ensure efficient ...



- IP65/IP55 OUTDOOR CABINET
- WATERPROOF OUTDOOR CABINET
- 42U/27U
- OUTDOOR BATTERY CABINET

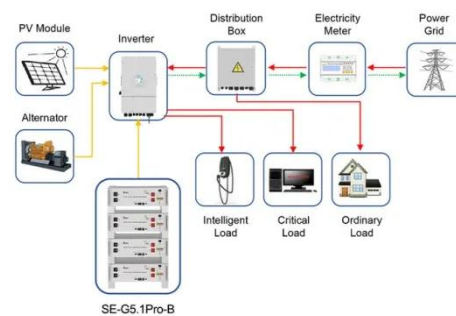
Energy Storage Cabinet Market Report , Global Forecast From 2025

...

In 2023, the global energy storage cabinet market size is estimated to be valued at approximately USD 8.5 billion. According to market forecasts and current trends, the market is expected to reach around ...

Energy Storage Cabinet Market by Applications: Netherlands , Italy

This analysis provides a comprehensive overview of the market dynamics, competitive landscape, and technological advancements shaping the future of energy storage cabinets worldwide.



Application scenarios of energy storage battery products

Energy Storage Cabinet Market Analysis & Forecast 2032

Recent trends in the market include the



adoption of modular and scalable energy storage cabinet designs, the integration of advanced battery management systems, and the increasing ...

Modular Lithium Energy Storage Cabinet

This report provides a comprehensive assessment of recent tariff adjustments and international strategic countermeasures on Modular Lithium Energy Storage Cabinet cross-border ...



Dyness Knowledge , Overview of the Dutch Energy Storage Market: ...

The Dutch energy storage market faces multiple challenges, but also provides opportunities for technological innovation: Grid congestion and power waste: Excess renewable ...

Energy Storage Battery Cabinets Market Size, SWOT, Consumer ...

Access detailed insights on the Energy Storage Battery Cabinets Market, forecasted to rise from USD 6.5 billion in 2024 to USD 14.2 billion by 2033, at a

CAGR of 9.3%. The report examines critical ...



Contact Us

For catalog requests, pricing, or partnerships, please visit:
<https://www.scelto.co.za>

