

Microgrid economics islamabad



Microgrid economics islamabad

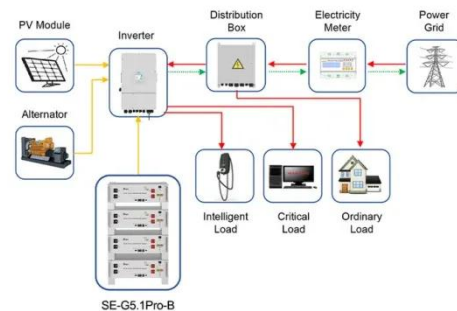


Evaluation of techno-economic design and implementation of solar ...

The aim of this study is to evaluate the feasibility and cost-effectiveness of integrating a microgrid hybrid system with combined (solar PV/wind power) renewable energy as well as conventional fossil fuel ...

(PDF) Evaluation of Techno-Economic Design and

Thus, a microgrid hybrid containing Solar-Wind renewable and conventional generator are in need to produce sustainable Electricity in a small community. On one hand, solar-wind ...



Application scenarios of energy storage battery products



Possibilities, Challenges, and Future Opportunities of Microgrids: A ...

By assessing the current state of microgrid development in Pakistan and drawing lessons from international best practices, our research highlights the unique opportunities microgrids present ...

Experts call for policy coherence, innovative financing to attract

He said Pakistan, learning from the successful models in the region, should integrate microgrids into its Nationally Determined Contributions (NDCs) to attract climate finance.



Microgrid economics islamabad

With the widespread integration of AC and DC renewable energy systems, increasing research efforts are directed towards the development of a hybrid shipboard Microgrids (SMGs) to enhance energy ...

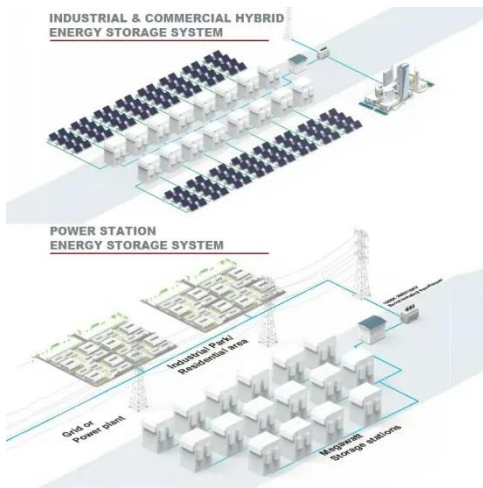
Sustainable and reliable energy management for urban hybrid energy

In this context, the present study explores the development of a standalone, renewable-based microgrid system for Islamabad, Pakistan. The goal is to design a self-sufficient system that ...



Evaluation of Techno-Economic Design and Implementation of ...

As per the analysis conducted throughout this research study stage



and using the HOMER software as its main tool for this thesis, Figure 9 illustrates the schematic design of the microgrid hybrid system ...

TECHNO-ECONOMIC ANALYSIS OF WIDESPREAD ...

In this section, techno-economic modelling and simulations using HOMER-Pro Software tool is discussed; here the work is presented on how to evaluate the feasibility of MG development in a ...



Modeling and operation optimization of RE integrated microgrids

To exploit the key benefits, achieving the economical operation of renewable aided microgrids has become necessary and is a challenging task. This paper presents an efficient ...

A Techno-Economic Analysis of Widespread Microgrid/Minigrid

(11) The application of MGs for irrigation purposes presents an interesting case. Hybrid MGs having an irrigation

application has more economic viability as compared to similar normal rural MGs since it ...



Contact Us

For catalog requests, pricing, or partnerships, please visit:
<https://www.scelto.co.za>

