

# N djamena electricity



## Overview

---

You know, Chad's capital N'Djamena currently faces chronic power shortages affecting 85% of its 1. With electricity demand growing at 7% annually [3], the city's aging diesel generators simply can't keep up. Chad has one of Africa's highest solar penetration rates, a result of a small power system with just 12% electrification, as large-scale solar and storage projects gather pace around N'Djamena, even as political uncertainty over oil revenues constrains faster deployment. This decision has shed light on the deep-seated. Abu Dhabi-based Global South Utilities (GSU) has inaugurated the Noor Chad 50MW solar photovoltaic plant in N'Djamena, marking Chad's first utility-scale solar project. The facility is expected to supply electricity to 274,000 homes and reduce dependence on imported diesel. But here's the kicker - solar radiation levels here average 5.

## N djamena electricity

---



### **Chad's installed PV capacity hits 110 MW, supplying 37% of electricity**

Chad has one of Africa's highest solar penetration rates, a result of a small power system with just 12% electrification, as large-scale solar and storage projects gather pace around N'Djamena

---

### **N'Djamena's Energy Storage Revolution: Powering Chad's Future**

You know, Chad's capital N'Djamena currently faces chronic power shortages affecting 85% of its 1.6 million residents [3]. With electricity demand growing at 7% annually [3], the city's aging diesel ...



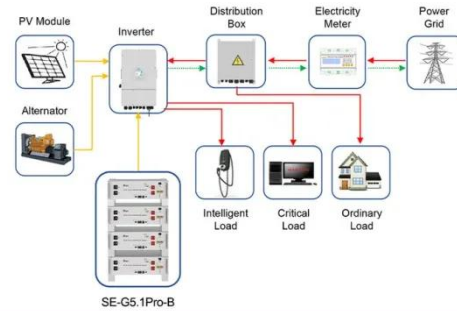
---

### **Noor Chad 50MW Solar Plant Inaugurated in N'Djamena, Chad**

The facility is expected to supply electricity to 274,000 homes and reduce dependence on imported diesel. The facility combines 50MW of solar PV capacity with a 5 MWh BESS.

## N djamena energy storage announcement

This paper attempts at proposing an energy profile and storage model for Chad in vast remote towns. studied the wind energy potential for N"Djamena in Chad from wind data of 12 months recorded



Application scenarios of energy storage battery products



## GSU inaugurates Chad's first utility-scale solar plant in N'Djamena

The installation will serve as a model for future renewable energy developments in Chad, supporting grid stability through the integrated BESS and accelerating access to sustainable electricity.

## N djamena solar battery storage

If you're considering going solar but buying home battery storage in the future, acquiring a battery-ready or upgradeable system is important; one that includes an energy monitor - chat with our storage ...



## Tchad : Le Premier Ministre lance des projets d'énergie solaire et de

Il s'agit du lancement des centrales solaires de Gassi, Lamadji et Klessoum, ainsi que du projet ambitieux de réhabilitation, d'extension et de

densification du réseau électrique de la ville de ...



---

### Forecast of the electrical energy demand of N Djamena, Chad, ...

The aim of this work is to propose the forecast of the peak of the electrical energy demand of N'Djamena, Chad by 2032, by a statistical approach based on the history of the maximum powers.



---

### Chad Minister's head rolls over failure of N'Djamena emergency

The two men have clashed regularly in recent weeks over preparations for the hot period between March and May, which is expected to lead to a peak in electricity consumption in the ...

---

### Chad's Power Crisis Deepens: Minister Fired as Emergency Electricity

The road to resolving the electricity supply problem in N'Djamena will require collaboration, transparency, and

effective governance to ensure a  
brighter future for all residents of ...



---

## Contact Us

---

For catalog requests, pricing, or partnerships, please visit:  
<https://www.scelto.co.za>

