

Niger Demonstration Communication Base Station Inverter Grid Connection



Niger Demonstration Communication Base Station Inverter Grid Connection

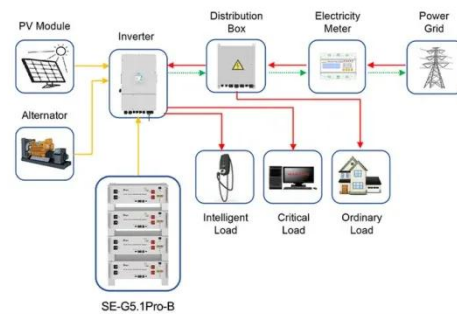


Three-in-one communication base station inverter grid connection

Huawei communication base station inverter grid connection When the grid charging function is enabled, the surplus power generated by one inverter can be used to charge the other inverter.

Communication base station inverter grid connection and station ...

This article aims to reduce the electricity cost of 5G base stations, and optimizes the energy storage of 5G base stations connected to wind turbines and photovoltaics.



Application scenarios of energy storage battery products



Ground wave communication base station inverter grid connection

This paper provides a thorough examination of all most aspects concerning photovoltaic power plant grid connection, from grid codes to inverter topologies and control.

Nigeria communication base station

inverter grid connection construction

Are telecommunication power sources a problem in Nigeria? literature review on telecommunication power sources in Nigeria indicates that very little research and analysis has been completed on power ...



ESS



Mobile communication base station inverter grid connection

Mobile base station site as a virtual power plant for grid Mar 1, · The base station has a 3*25 Ampere (A) grid connection and several generations of mobile networks, including LTE & 5G

Niger communication base station wind power installation

· As the incessant demand for wireless communication grows, off-grid telecommunication base station sites continue to be introduced around the globe.



Niger s first batch of communication base station wind and solar

Niamey, Niger, J- IFC and the Government of Niger today announced a partnership under the World Bank Group's Scaling Solar program to

develop up to 50 megawatts of grid



COMMUNICATION BASE STATION INVERTER GRID CONNECTED

This research focuses on the discussion of PV grid-connected inverters under the complex distribution network environment, introduces in detail the domestic and international standards and requirements on grid ...



Point-to-point communication base station inverter grid connection

While maximizing power transfer remains a top priority, utility grid stability is now widely acknowledged to benefit from several auxiliary services that grid-connected PV inverters may offer.

Contact Us

For catalog requests, pricing, or partnerships, please visit:

<https://www.scelto.co.za>

