

Oman Marine Photovoltaic Energy Storage Containerized Mobile Type



Overview

What is HJ mobile solar container?

The HJ Mobile Solar Container comprises a wide range of portable containerized solar power systems with highly efficient folding solar modules, advanced lithium battery storage, and smart energy management. Haiti Energy Storage Plant Development Project The objective of the project HA-G1048 is to maximize the use of the energy produced by the 8-MWp solar photovoltaic plant (SPP) to. ABB's Containerized Energy Storage System is a complete, self-contained battery solution for a large-scale marine. The semi-mobile solar solution for your 6 months to 10 years projects. The Mobil-Grid ® is the ideal. an off-grid solar system with "generator backup"?

An off-grid solar system with a backup generator is usually composed of: Solar panel (PV) Battery energy storage (LFP lithium). How much will Oman's power sector invest in the next six years?

Taken together with parallel plans for the implementation of a raft of Wind IPPs and combined cycle gas turbine (CCGT) power projects, total investment in Oman's power sector is set to balloon to well over \$5 billion over the next six. Located 300 kilometers west of Muscat, Oman's capital, the Ibri Solar Photovoltaic (PV) Independent Power Plant is a pioneering renewable energy project that has transformed a once barren, sparsely vegetated stretch of desert into a solar oasis. Mobile solar containers with PV area up to 200 m². MUSCAT: AB Energy, a local Omani clean energy technology company, has announced the signing of a strategic partnership with Wuxi Longmax Technology, a China-based renewable energy solutions provider, to support the development, manufacture and assembly of mobile solar power plants in the Sultanate.

Oman Marine Photovoltaic Energy Storage Containerized Mobile Typ



CURRENT ENERGY STORAGE TECHNOLOGIES OMAN , EQACC ...

What is HJ mobile solar container?The HJ Mobile Solar Container comprises a wide range of portable containerized solar power systems with highly efficient folding solar modules, advanced lithium ...

SolarContainer Successfully Deployed in Oman

We are pleased to announce the successful deployment of a SolarContainer in Oman, where it is now supplying clean and autonomous energy for a mobile Oil & Gas site.



Oman Mobile Energy Storage Container 500kWh

On the construction site, there is no grid power, and the mobile energy storage is used for power supply. During a power outage, stored electricity can be used to continue operations without interruptions.

Containerized Energy Storage Costs

in Oman: 2024 Market Analysis

Summary: This article breaks down containerized energy storage costs in Oman's growing renewable energy market, exploring pricing factors, project examples, and government initiatives.



Muscat s independently operated solar container power station

Transforming a Shipping Container Into a DIY Solar Power Station! Join us as we take you through the intricate details of transforming a 20-foot standard shipping container into a solar powerhouse ...

Pact for manufacture of mobile solar power plants in Oman

Announcing the agreement in a post, Al Saidi, CEO of AB Energy, said: "The partnership aims to develop, assemble and deploy Mobile Solar Container systems in Oman and a number of ...



muscat containerized energy storage

ABB's containerized energy storage system is a complete, self-contained battery solution for large-scale marine energy storage. The batteries and all

control, interface, and auxiliary equipment are deliv - ...



Mobil Grid® solar container

The Mobil-Grid ® is an ISO-standard, CSC-approved maritime container that integrates a photovoltaic power plant, ready to be deployed and connected, with integrated control cell and batteries.



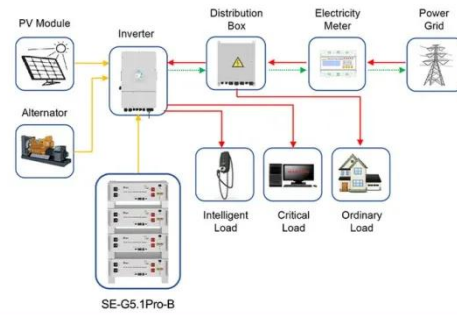
15MWh Oman Smart Photovoltaic Energy Storage Container for ...

Can photovoltaic systems be integrated with Marine Power Systems? Photovoltaic (PV) systems, energy storage, and control strategies for both grid-connected and standalone systems were examined.

OMAN PHOTOVOLTAIC SOLAR CONTAINER LITHIUM BATTERY

The project will (i) introduce the first-of-its-kind near-shore marine floating solar

photovoltaic power plant; (ii) install a battery energy storage system (BESS) and transmission grid with smart energy a?,



Application scenarios of energy storage battery products

Contact Us

For catalog requests, pricing, or partnerships, please visit:
<https://www.scelto.co.za>

