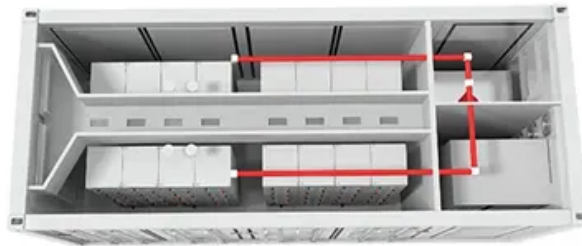


Photovoltaic bracket grounding wire diagram



Photovoltaic bracket grounding wire diagram

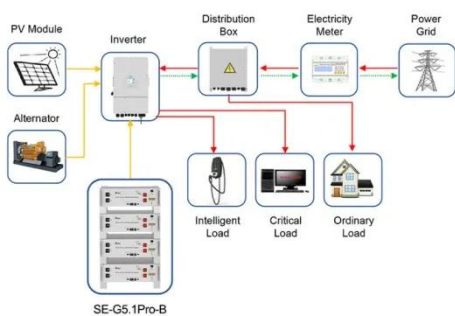


Photovoltaic panel grounding wire effect diagram

grid-tied solar system is the solar panel array. These panels capture sunlight and convert it into electricity through the photovoltaic effect. The wiring diagram for a grid-tied sol

Photovoltaic panel grounding wire size standard diagram

With respect to grounding, the NEC requires that all PV systems have equipment-grounding conductors that connect all of the exposed metal surfaces of the system to a grounding



Application scenarios of energy storage battery products

Solar Panel Grounding Diagram

During PV installations you should wear isolating gloves, electrical safety shoes, a safety jacket, and more. Your installation manual should include a solar panel grounding diagram that shows the ...

Understanding the Grounding

Diagram for PV Systems

Learn about the diagram of a PV system grounding and how it helps ensure the safety and proper functioning of a solar power system.



PV System Grounding Diagram: Your 10-Minute Guide

Learn how to read a PV system grounding diagram fast. Spot key symbols, comply with NEC grounding rules, and avoid inspection delays with this quick guide.

Photovoltaic panel grounding installation method diagram

In this ultimate guide, we will explore the importance of grounding solar panels, different methods of grounding, step-by-step instructions for grounding, common mistakes to avoid, the importance of ...



Grounding Methods for Photovoltaic Lightning Protection

Proper grounding is a critical safety measure for photovoltaic (PV) systems. With advances in solar technology, companies like Bluesun Solar are leading

the way in offering innovative and reliable ...



Technical Information

If components are used in the PV system that require equipotential bonding (e.g., mounting rack, metal conduits or cable channels, module frame, etc.), these must be connected with a grounding busbar ...

114KWh ESS



ISO 9001 ISO 14001 PICC RoHS CE MSDS UN38.3 UK CA IEC



Grounding and Methods of Earthing in PV Solar System

This article covers grounding in PV systems, which differs slightly from standard grounding systems. The concept and purpose of grounding in DC systems, such as solar panels and photovoltaic arrays, are ...

Contact Us

For catalog requests, pricing, or partnerships, please visit:
<https://www.scelto.co.za>

