

Photovoltaic inverter 400v and 380v

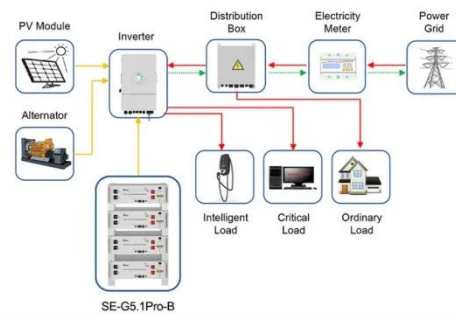
4 kW Three Phase Solar Pump Inverter, AC 380V



Solar pump inverter adopts advanced MPPT control technology, real-time detection of solar panels power voltage, tracking the highest voltage and current, efficiency is as high as 98%.

0.75kW-150kW 400V-780V DC 3 Phase 380V/400V/440V Solar Pumping Inverter

The 400V-780V DC solar pumping inverter converts DC power from the solar array into AC power to drive the pump. With the function of MPPT (Maximum Power Point Tracking), it regulates the output ...



Application scenarios of energy storage battery products



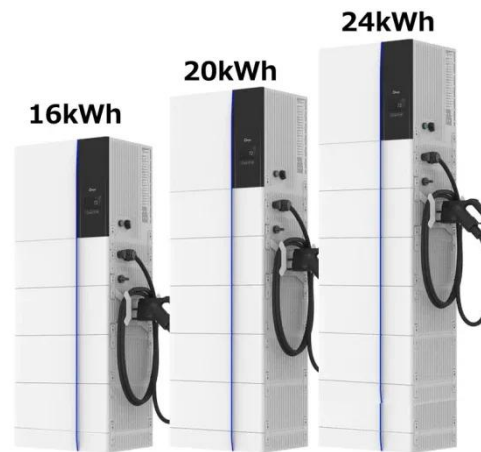
PV Storage Home Kit 3 Phase 380V 400V 10kw All in One Solar ...

In general, it includes solar panels, charger controller, batteries and inverter. This system will store the solar power into the batteries, batteries energy will be converted the electricity power to supply the ...

**Three Phase solar Inverter 15kw
20kw 30kw 40kw 50kw 60kw 200KW**

...

Unlock the Power of Inverter & Off-grid Solar Energy: Get a Free Quote and Expert Guidance Today. Whether you're looking to install an off-grid solar system or upgrade your existing inverter, our team ...

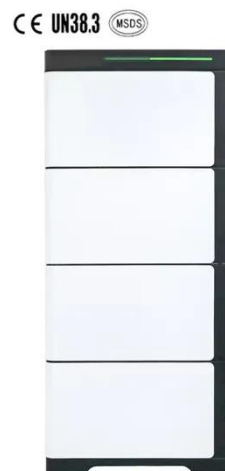


**Solar Drive Inverter Variable
Frequency Drive DC 400V to 700V ...**

About this item ?Input Voltage?: DC400-700V; Output voltage: AC 0-380V 0-650Hz; Rated power: 2.2KW; Rated voltage: 380V. ? Simplified design with double-layer board design, the ...

**SOFAR PV Inverter 5kw 6kw 8kw
10kw 12kw Home Solar Energy
Inverter 380V**

The solar panel provides a special inverter that directly converts the DC voltage of the solar panel into an AC power source matching the power grid. Extra power can sale to local city grid to reduce your ...



Three Phase Inverters - PowMr

PowMr's three-phase inverter converts



DC to three AC waveforms, ensuring stable power for residential, industrial, and commercial facilities. It integrates solar energy, supporting voltages like ...

PH1100 EU (5-16KW) - Hybrid Solar Inverter & ESS Manufacturer

Three Phase Hybrid Solar Inverter - 380V Output , 100% Unbalanced Load , 320A Fast Charge , IP66 The PH1100 EU Series (Three Phase) is a flagship industrial-grade Hybrid Solar Inverter designed ...



Deye Sun Series Pure Sine Wave 380V 400V Three Phase 10kw ...

This is a multifunctional inverter, combining functions of inverter, solar charger and battery charger to offer uninterruptible power support with portable size.

Sunway Growatt 30kw 40kw 380V Triple Phase On Grid Solar Inverter

The Growatt MID generation of photovoltaic inverters is ideal for installations as it is compact and easy to install, for indoor applications. The

inverters have a natural cooling system thus making them ...



0.75kW-150kW 400V-780V DC 3 Phase ...

The 400V-780V DC solar pumping inverter converts DC power from the solar array into AC power to drive the pump. With the function of MPPT (Maximum Power ...

Contact Us

For catalog requests, pricing, or partnerships, please visit:
<https://www.scelto.co.za>

