

Photovoltaic panel foundation drilling method



Photovoltaic panel foundation drilling method



Specifications and standards for drilling holes for ...

Specifications and standards for drilling holes for photovoltaic panel pile foundations How is a ground mounted PV solar panel Foundation designed? This case study focuses on the design of a ground ...

Photovoltaic panel foundation drilling machine

Photovoltaic panel foundation drilling machine What is a photovoltaic pile driver? Photovoltaic Pile Driver Configuration Solar Pile Drilling Method - totally three different drilling ...



Ground Mounted PV Solar Panel Reinforced Concrete ...

Ground Mounted PV Solar Panel Reinforced Concrete Foundation A ground mounted solar panel system is a system of solar panels that are mounted on the ground rather than on the ...

Photovoltaic Foundation Drilling

Machines: The Swiss Army Knife ...

Let's face it - when people imagine solar farms, they picture shiny panels and clean energy, not the mud-splattered drilling machines working below. But here's the kicker: photovoltaic power generation ...



Drilling Holes in the Ground for Solar Photovoltaic Panels: A ...

Summary: This article explores the critical role of ground drilling in solar PV installations, offering actionable insights on best practices, cost-saving strategies, and emerging trends. Whether you're a ...

Solar power generation foundation drilling

Selecting the right foundation for PV solar panels is crucial, with durability, installation speed, and terrain suitability. Using a standard drill-and-drive method, remediation cost for a pile adds



Photovoltaic panel column drilling method

A ground-mounted photovoltaic power plant comprises a large number of components such as: photovoltaic



modules, mounting systems, inverters, power transformer. Therefore its ...

Photovoltaic support foundation construction drilling

How is a ground mounted PV solar panel Foundation designed? case study focuses on the design of a ground mounted PV solar panel foundation using the engineering software program spMats. The ...



Solar Panel Foundation Drilling for Utilities

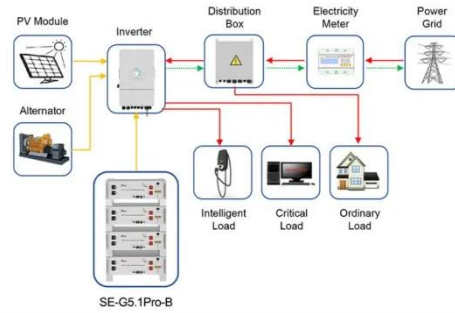
Effective solar panel foundation drilling in utilities construction. Discover expert techniques and insights with DataCalculus.

Ground Solar Foundations: The Complete Guide , Ziyuan Solar

The Critical Role of the Foundation: The Unsung Hero of Solar Project Viability In the development of any ground-mounted

solar energy system, components like photovoltaic (PV) panels, inverters, and

...



Application scenarios of energy storage battery products

Contact Us

For catalog requests, pricing, or partnerships, please visit:
<https://www.scelto.co.za>

