

Rack solar container battery price



Overview

Lead-acid racks cost \$800–\$2,500/kWh but require frequent replacement. Nickel-based systems (\$2,500–\$5,000/kWh) suit extreme. Check each product page for other buying options. Price and other details may vary based on product size and color. Need help?

. RPS supplies the shipping container, solar, inverter, GEL or LiFePo battery bank, panel mounting, fully framed windows, insulation, door, exterior + interior paint, flooring, overhead lighting, mini-split + more customizations! RPS can customize the Barebones and Move-In Ready options to any design. EcoDirect offers battery boxes, racks and enclosures for off-grid energy storage applications in solar PV systems. com sells Battery Boxes Racks and Enclosures at the lowest cost. A poorly designed system can ruin your batteries. Our Solar Battery Guide will help you size your battery bank properly and keep things running. in 40ft Containers. \$774,800 Solar Compatible! 10 Year Factory Warranty 20 Year Design Life The energy storage system is essentially a straightforward plug-and-play system which consists of a lithium LiFePO4 battery pack, a lithium solar charge controller, and an inverter for the voltage.

Rack solar container battery price



Instant Off-Grid(TM) Shipping Containers with Solar and Batteries and AC+

Our 20 and 40 foot shipping containers are outfitted with roof mounted solar power on the outside, and on the inside, a rugged inverter with power ready battery bank.

Battery Racks & Enclosures

We stock a wide range of racks and enclosures for the varying types of solar power systems. Whether you need to house one battery or 12, we have what you need. We carry high-quality products from brands like ...



Battery Enclosures

This product is perhaps more commonly called a "solar battery box" but is also referred to as a "pole mount battery box". Some battery boxes are large enough to be considered battery cabinets and are usually made ...

What Determines Solar Battery Rack Prices?

Solar battery rack prices depend on capacity, materials, brand, and installation complexity. Residential systems typically cost \$1,000-\$5,000 per rack, while commercial setups range from ...



Solar Battery Boxes Racks and Enclosures > EcoDirect

EcoDirect offers battery boxes, racks and enclosures for off-grid energy storage applications in solar PV systems. These products support the most common battery types.

Energy storage container for storing the solar energy

Price for 1MWH Storage Bank is \$774,800 each plus freight shipping from China. To discuss specifications, pricing, and options, please call us at (801) 566-5678.



Solar Battery Boxes and Enclosures for Sale

Unbound Solar carries durable solar battery boxes and enclosures that are perfect for your off-grid or grid-tie with battery backup system. Browse today.



Solar Battery Racks

Solar battery racks are essential for efficient energy storage. Our racks support various battery types, including lifepo4 and lithium ion. Perfect for solar systems.

114KWh ESS













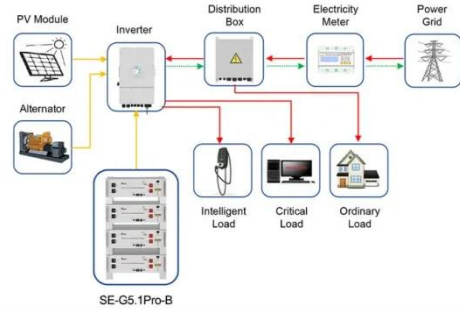


How to Choose and Install Solar Battery Racks Effectively

How Much Do Solar Battery Racks Cost?
 The price of solar battery racks can vary significantly based on several factors:
Material Quality: High-quality materials may increase initial costs but enhance durability. **Capacity:** ...

Amazon : Solar Battery Rack

Price and other details may vary based on product size and color. Need help?



Application scenarios of energy storage battery products

Contact Us

For catalog requests, pricing, or partnerships, please visit:
<https://www.scelto.co.za>

