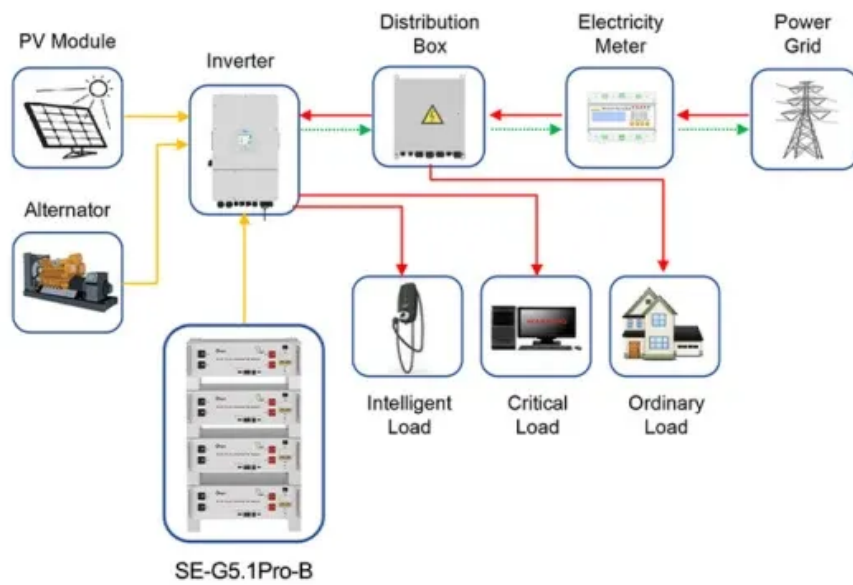


# Solar Photovoltaic Panel CAD Drawing Tutorial

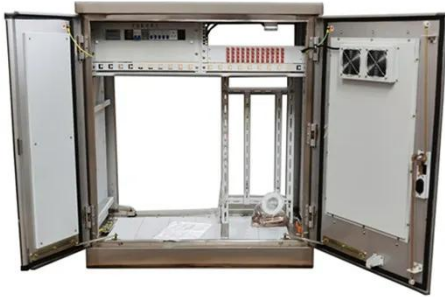


Application scenarios of energy storage battery products



## Solar Photovoltaic Panel CAD Drawing Tutorial

---



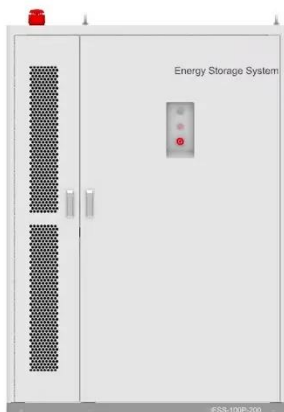
### PV Engineering & AutoCAD for Solar Design Software

Create precise engineering and permit-ready drawings for rooftop, carport, and ground mounted residential and C& I solar projects. Available to customers with or without an AutoCAD license!

---

### Solar AutoCAD Training Online

Designed for those new to AutoCAD / AutoCAD LT who require training on using AutoCAD for Solar Panel sales, layout and design. This class incorporates the features, commands, and techniques for ...



---

### Solar Layout & Electrical Diagram with AutoCAD

You'll be learn how to prepare solar layouts and SLD for any rooftop, ground mount or carport solar installation.

---

### AutoCAD Solar Plant Design: Site Plans & Circuit Diagrams

Are you ready to become an expert in solar power plant design? This course is a step-by-step guide that will transform you from a beginner to a skilled professional in AutoCAD-based solar design. You'll ...



### **AutoCAD Solar PV Design Course , Online Training For Solar Designers**

This online solar energy training program covers every basic and intermediate function that a solar PV designer needs to know to draw professional client-ready solar PV system designs and layouts.

### **Drawing Photovoltaic Diagrams**

ProfiCAD supports the drawing of photovoltaic circuit diagrams. In addition to the common electrical engineering symbols, the library includes symbols such as solar cells, photovoltaic panels, solar ...



### **Master Solar PV Layout Design in AutoCAD: A Step-by-Step Guide**

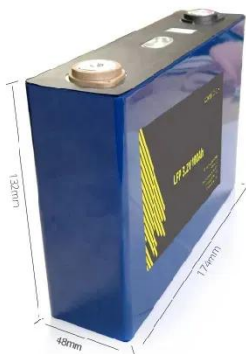
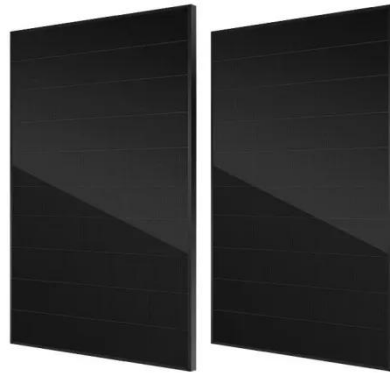
This comprehensive tutorial will guide you through the entire process of drafting solar PV layouts using AutoCAD,

from initial site analysis to final design visualization.



## How to use cad photovoltaic panel array

AutoCAD is a computer-aided design (CAD) software that when used in solar PV design, allows solar designers and engineers to create precise 2D and 3D CAD solar panel drawings, plant layouts and ...



## How to Use AutoCAD for PV Design: A Step-by-Step Tutorial

This tutorial aims to provide beginners with a step-by-step guide on how to use AutoCAD for PV design. By following these instructions, you'll be equipped with the knowledge and skills to ...

## Contact Us

For catalog requests, pricing, or partnerships, please visit:  
<https://www.scelto.co.za>

