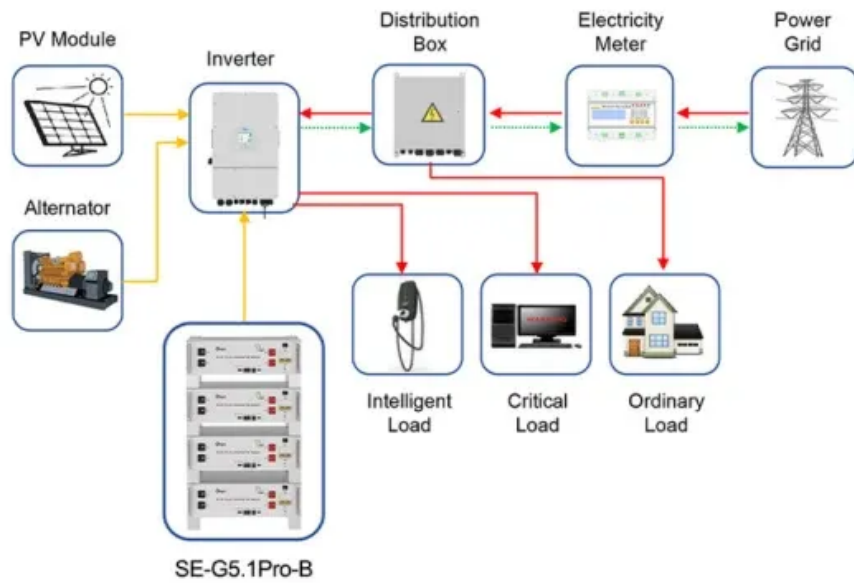


# Solar inverter current is low



Application scenarios of energy storage battery products



## Overview

---

Signs of solar system problems and solutions often include low power production, buzzing noises, or a specific solar inverter fault codes list 2026. At a basic level, inverter low output describes a situation where an inverter is not delivering the amount of usable power it is designed to provide, even though it appears to be running. The system is “on,” but performance feels weak, inconsistent, or unreliable. Many problems can be easily diagnosed and fixed. 3 watts (should be less than 100% but high 90's% is possible) This is just poor. This guide breaks down the most common solar inverter problems and shows you how to identify, fix, and prevent them step by step. From portable units to all-in-one systems and full home setups, you'll get clear insights to keep your solar power running strong.

## Solar inverter current is low

---

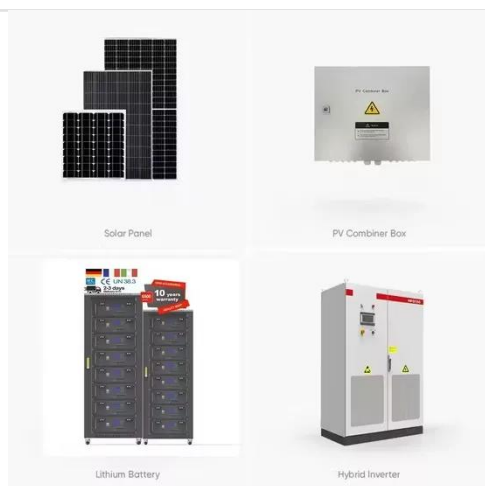


### Solar Energy

There are two main types of solar energy technologies--photovoltaics (PV) and concentrating solar-thermal power (CSP). On this page you'll find resources to learn what solar ...

### Improving Solar System Reliability: Top 7 Inverter Troubleshooting Tips

Learn 7 key troubleshooting tips to fix common solar inverter issues and improve the performance and reliability of your solar power system.



### Is Solar Worth It in 2026 After the 30% Tax Credit Ends?

Discover why rising electricity prices make solar a great investment in 2026, even after the 30% federal tax credit expires. We break down the long-term savings.

**SunPower - Powering a Brighter Future , SunPower®**

We provide residential solar, battery storage, and custom solutions for homes, built to last with quality and backed by decades of solar expertise.



## Solar Inverter Troubleshooting: Expert Tips from ESAS to Solve Common

We've outlined the most common solar inverter issues and actionable troubleshooting tips to help you resolve problems effectively. 1. The Solar Inverter Won't Turn On. What's Happening: Your inverter ...

## Common Inverter Faults and Solutions

Learn how to identify and resolve common inverter faults in photovoltaic systems, ensuring optimal performance and extended equipment lifespan. Inverters are crucial components in photovoltaic ...



## Solar Inverter Problems & Solutions: Troubleshooting Guide

Many inverters display error messages

like "Grid Fault," "Over Voltage," or "Isolation Fault." These indicate common inverter problems caused by grid fluctuations, wiring issues, or internal component faults. ...



---

## Solar energy , Definition, Uses, Examples, Advantages, & Facts

Solar energy is radiation from the Sun that is capable of producing heat, causing chemical reactions, or generating electricity. The total amount of solar energy incident on Earth is ...



---

## Common Issues in Solar Inverter Systems

When a solar inverter system fails or malfunctions, your solar power system becomes inefficient or non-operational. Not only can this lead to higher utility bills, but it also reduces the return on your solar ...



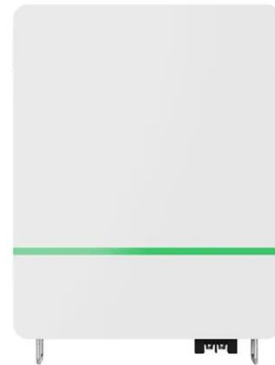
 LFP 12V 200Ah

---

## Solar Inverter Troubleshooting: Fix Common Issues Fast

When your solar inverter stops working, so does your solar system. That's why solar inverter troubleshooting is

crucial--because no matter how reliable your panels are, the inverter is what keeps ...



### Solar & Battery Solutions , Generac

Generac Solar & Battery Solutions provide a more powerful, resilient and smart way to manage your energy needs.

### Solar power generation drives electricity generation growth over the

In our STEO forecast, utility-scale solar is the fastest-growing source of electricity generation in the United States, increasing from 290 BkWh in 2025 to 424 BkWh by 2027. Almost 70 ...



### ISSUE: (SOLVED) Low Voltage Output from MPPT

Picture says panel is putting out 31v x 3.3A = 102.3 watts and battery taking 12.6v x 8.2 amps = 103.3 watts (should

be less than 100% but high 90's% is possible) This is just poor accuracy on monitor. ...



## Understanding Low Inverter Input Voltage: Causes, Impacts, and

Low inverter input voltage is a common challenge in renewable energy systems, particularly in solar power installations. This article explores the root causes, operational impacts, and actionable solutions to address ...



**1mwh** (500kw/1mw)

AIR COOLING  
ENERGY STORAGE CONTAINER



## Understanding Inverter Low Output: Causes, Solutions, and Real ...

Learn how to identify and fix inverter low output issues, optimize your solar inverter, and maintain stable power for efficient, reliable energy every day.

## 2026 Guide to Balcony & Plug-In Solar

Can you really plug a solar panel into a wall outlet? Discover how balcony solar works, state-by-state laws, and how

much you can save.



### To lower electric bills, consumers quietly install DIY solar

Plug-in solar has remained in the shadows because of a lack of safety standards and often costly requirements imposed by utilities, but that's changing.

### SOLAR , Division of Information Technology

SOLAR is Stony Brook University's primary administrative system used by faculty and staff to update personal information, view vacation/sick accruals, print class rosters, submit grades, and more.



### 10 Solar Inverter Common Issues & How to Troubleshoot FAST

Is your solar inverter not working or showing a fault code? Discover 10 common solar inverter problems & easy

troubleshooting tips to restore power quickly.



---

## Contact Us

For catalog requests, pricing, or partnerships, please visit:  
<https://www.scelto.co.za>

