

Solar module double glass single crystal



Solar module double glass single crystal

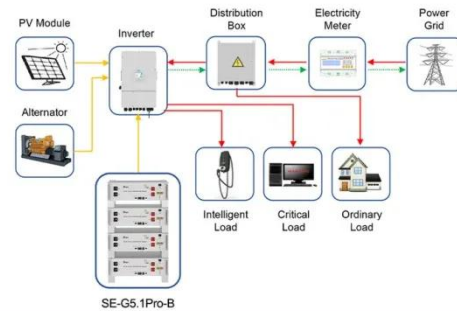


Difference Between Single Glass & Double Glass Solar ...

Learn what is the difference between single glass and double glass solar panels and decide which works best for you. Click to read more!

Single-glass versus double-glass: a deep dive into module reliability

Double-glass modules, with their performance in the face of salt mist, high temperatures and high humidity, have won the market's favour. However, this trend is not without its risks.



Application scenarios of energy storage battery products

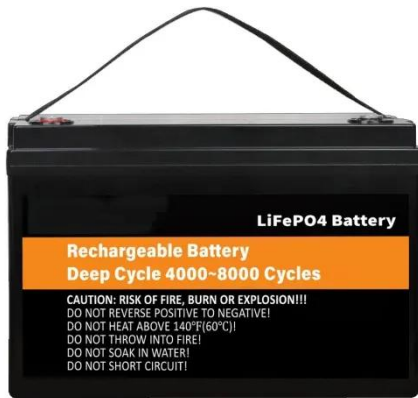


Single Glass and Double Glass Solar Panels: An In-Depth Comparison

Single glass and double glass solar panels. Explore comparison between single and double glass solar panels including all the details you need.

Single Glass vs Double Glass Solar Panels : Which Is Better for Your

Single glass vs double glass solar panels: Compare structure, cost, durability, and efficiency to choose the best solar panel type for your energy needs.



What are Double Glass Solar Panels?

Double-glass solar modules are made up of two layers of tempered glass that cover both sides of the solar panel. As snow accumulates on a typical solar panel or people stomp on it (during ...

Double Glass vs Single Glass Solar Panel: Which is Best?

If budget is your main concern, single glass might be the way to go. But if you prioritize durability, longevity, and harsher environments, double glass offers a shining solution.



The Difference Between Double-glass and Single-sided Glass Solar ...

The main difference between double-glass photovoltaic modules and single-sided glass solar panels lies in their



construction and design, which can impact their durability, performance, and ...

High-Efficiency Solar Solutions: Single Crystal Double Glass ...

In the renewable energy sector, high crystal components have become the backbone of efficient solar panels. These advanced materials, particularly single crystal double glass modules, deliver up to ...



Double the strengths, double the benefits

In the ever-evolving world of photovoltaic technology, double glass solar modules are emerging as a game-changer. By encapsulating solar cells between two layers of glass, these ...

The difference between single crystal and double crystal ...

This article aims to provide an objective and analytical overview of the differences between mono vs poly

crystal solar panels, and the factors to consider when choosing the right solar ...



Contact Us

For catalog requests, pricing, or partnerships, please visit:
<https://www.scelto.co.za>

