

Solar photovoltaic panel structure diagram



Solar photovoltaic panel structure diagram



Photovoltaic system diagram: the useful design guide

The photovoltaic system diagram is the fundamental design asset for installing an efficient solar energy system. Find out everything you need to produce

The Ultimate Guide: Understanding the Schematic Diagram of a Solar

Learn about the schematic diagram of a solar power plant and how it converts sunlight into electricity. Understand the components and working principles of solar power plants, including solar panels, ...



Power Conversion System

- Single-stage three-level modularization
- Multi-branch input to reduce battery series and parallels connection

Solar Panel Construction

Solar panels use photovoltaic cells, or PV cells for short, made from silicon crystalline wafers similar to the wafers used to make computer processors. The silicon wafers can be either ...

Solar Power Plant Diagram: Key

Components

Explore how solar power works with a detailed solar power plant diagram, layout design, core components, and working principles for clean energy systems.



Understanding Solar Panel Diagrams: A Detailed

A solar panel diagram with explanation PDF provides a detailed visual representation of how solar panels work and generate electricity from sunlight. The diagram typically includes the different ...

Solar Cell: Working Principle & Construction (Diagrams Included)

Key learnings: Solar Cell Definition: A solar cell (also known as a photovoltaic cell) is an electrical device that transforms light energy directly into electrical energy using the photovoltaic ...



Photovoltaic solar panel structure drawings

Provide an architectural drawing and

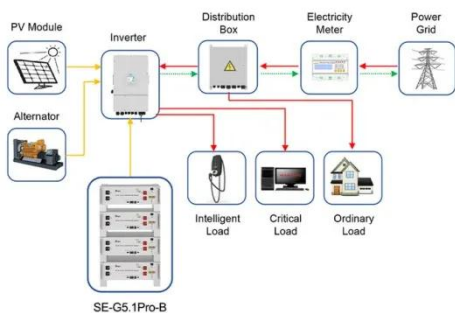


riser diagram for the homeowner showing the planned location for future photovoltaic and solar hot water system components. Space requirements and layout for ...

Solar Panel Diagram and Its Components Explained

Understanding the Structure and Functionality of a Solar Panel Diagram For optimal energy harvesting, it is essential to comprehend how the components of a photovoltaic setup are interconnected. The ...

INTEGRATED DESIGN
EASY TO TRANSPORT AND INSTALL,
FLEXIBLE DEPLOYMENT



Application scenarios of energy storage battery products

The Ultimate Solar Panel System Schematic Diagram: A ...

Discover the components and layout of a solar panel system through a detailed schematic diagram. Learn how solar panels, inverters, batteries, and other essential components work together to ...

Contact Us

For catalog requests, pricing, or partnerships, please visit:

<https://www.scelto.co.za>

