

# Specifications for flexible supports for photovoltaic plants



## Overview

---

What is a flexible PV module support system?

The flexible PV modules support system primarily consists of a lower supporting structure, upper tension cables, and PV modules. The system comprises 3 spans and 12 rows, with span length being 45 m in length and bay length being 3. Photovoltaic flexible bracket specifications and models  
Photovoltaic flexible bracket specifications and models  
What is a flexible PV mounting structure?

Flexible PV Mounting Structure Geometric Model  
The constructed flexible PV support model consists of six spans, each with a span of 2 m. The spans.  
Traditional rigid photovoltaic (PV) support structures exhibit several limitations during operational deployment. Therefore, flexible PV mounting systems have been developed.

## Specifications for flexible supports for photovoltaic plants

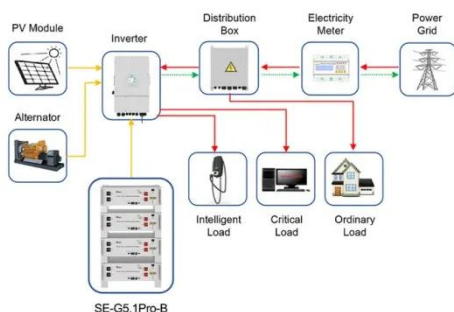


### Photovoltaic flexible bracket specifications and models

An engineering example of flexible photovoltaic support with a span of 15m is calculated and analyzed, and then compared with the finite element calculation results.

### Improvement of the flexible support photovoltaic module system: A new

The vertical support system is composed of steel columns and inter-column supports, and its role is to withstand and transfer the vertical force of the new flexible photovoltaic support system.



Application scenarios of energy storage battery products

### Design framework for double-layer flexible photovoltaic support

To better understand the structural behavior and prevent potential failure, this study presents a simplified analytical model for the design of double-layer flexible cable photovoltaic support structures.

## Static and Dynamic Response

## Analysis of Flexible Photovoltaic Mounts

Therefore, flexible PV mounting systems have been developed. These flexible PV supports, characterized by their heightened sensitivity to wind loading, necessitate a thorough analysis of their static ...



## Specifications and standards for photovoltaic flexible roof supports

This chapter presents descriptions of flexible substrates and thin-film photovoltaic, deepening the two key choices for the flexible photovoltaic in buildings, the thin film, as well as the organic

## Flexible support photovoltaic module requirements

In response to these challenges, flexible PV support systems have rapidly developed. This review will evaluate recent progress toward the vision of integrated, printed, flexible photovoltaic systems. Advances in printed ...



## Flexible Mounting System

Through the four installation methods of hanging, pulling, hanging and bracing, the Flexible mounting solution can be

To Strive forward No Energy Waste



- ✓ All in one
- ✓ 100~215kWh High-capacity
- ✓ Intelligent Integration

installed freely in many directions, which can better improve the support method of distributed solar ...

### Structures and support profiles for photovoltaic modules

The support structures are the elements that allow the fixing of the modules on the roofs where the photovoltaic installation must be housed, constituting a main element of the solution. Circutor offers a complete range of ...



### A review on conceptual design of support structures for floating solar

This paper reviews the conceptual design of support structures for floating solar power plants. The advantages of floating photovoltaic (PV) power plants are discussed, including the cooling effect of water and limited ...

### Photovoltaic flexible bracket specifications

Taking a flexible PV bracket with a span

of 30 m and a cable axial force of 75 kN as the research object, we investigate the variation patterns of the support cables and wind-resistant cables under temperature decrease



---

## Contact Us

For catalog requests, pricing, or partnerships, please visit:  
<https://www.scelto.co.za>

