

Too high photovoltaic panel installation



Overview

If solar panels are installed too high and do not light up, there are several steps to take: 1) Assess the installation conditions, 2) Inspect for any obstructions, 3) Evaluate the angle and positioning, 4) Consult with a professional to determine necessary adjustments. What to do if the solar panel is installed too high and does not light up?

1. These are tied in to a Renogy DC-DC MPPT charge controller. Panel voltage should be 22V optimum for both and 27V open. Over-elevated photovoltaic installations caused 23% efficiency losses in residential systems last year, according to the 2024 NREL Height Impact Report. Let's unpack why panel height matters more than you might think. Photovoltaic panels generate 18-22% less power when installed above 15 feet due. Installing a photovoltaic (PV) system is a process that requires not only knowledge of technology and technical standards but also precise execution and experience with support structures. Mistakes made during installation can affect the system's efficiency, durability, and safety.

Too high photovoltaic panel installation



What to Do When Your Photovoltaic Panel Installation Is Too High

Over-elevated photovoltaic installations caused 23% efficiency losses in residential systems last year, according to the 2024 NREL Height Impact Report . Let's unpack why panel height matters more than you might think.

Complete Solar Panel Installation Guide

Before choosing a new system, you should know what options work for your roof, the best ways to connect the panels, and more. This guide walks you through the key steps of solar ...



Is Higher Better? The Truth About Photovoltaic Panel Installation

While extreme height isn't practical, the question remains: does elevating photovoltaic panels improve performance? Let's cut through the hype and examine the real factors influencing installation height.

How to install photovoltaic panels if

the roof is too high

Should you install solar panels on your roof? energy costs and reduce your home's environmental impact. Even though there are some DIY solar panel options, installing them is a highly complex project, and ...



PV too high after install

By covering both panels about 10%, I was able to get the voltage down to 23V so the PV high alarm on the controller turned off and it would start charging the battery. Threshold for max PV ...

Common Mistakes in Solar Panel Installation: How to Avoid Them

In this blog, we will walk through the most common solar installation mistakes and provide solutions on how to avoid them, ensuring your solar panel system performs optimally for years.



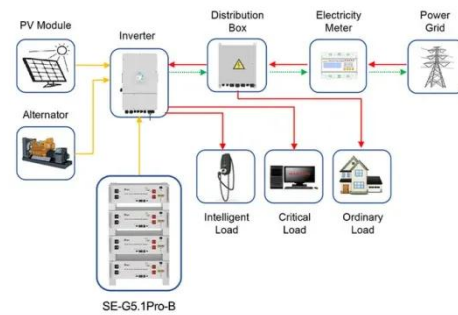
9+ Solar Panel Installation Mistakes to Avoid (Beginner's Guide)

Discover the most common solar panel installation mistakes and how to avoid them with our expert advice.



What to do if the solar panel is installed too high and does not light

If solar panels are installed too high and do not light up, there are several steps to take: 1) Assess the installation conditions, 2) Inspect for any obstructions, 3) Evaluate the angle and ...



Application scenarios of energy storage battery products



Photovoltaic installation: 11 Common mistakes and how to avoid them

Mistakes made during installation can affect the system's efficiency, durability, and safety. Below are 11 of the most common mistakes related to the installation of PV panel structures and how to avoid them.

Contact Us

For catalog requests, pricing, or partnerships, please visit:
<https://www.scelto.co.za>

