

# Where is the flywheel energy storage for Estonia s 5G solar container communication stations



## Overview

---

Thanks to the unique advantages such as long life cycles, high power density, minimal environmental impact, and high power quality such as fast response and voltage stability, the flywheel/kinetic energy stora.

## Where is the flywheel energy storage for Estonia s 5G solar contain

---



### A review of flywheel energy storage systems: state of the art and

There is noticeable progress in FESS, especially in utility, large-scale deployment for the electrical grid, and renewable energy applications. This paper gives a review of the recent ...

---

### FESS Fkywheel Energy Storage Systems

Flywheel energy storage will recover electric energy when the train enters the station, and release the electric energy when the train leaves the station and playing the role of energy saving and save 20% ...



CE UN38.3 MSDS



### Solar base station flywheel energy storage 5g

The city of Fresno in California is running flywheel storage power plants built by Amber Kinetics to store solar energy, which is produced in excess quantity in the daytime, for consumption at night.

---

### Flywheel storage power system

The city of Fresno in California is running flywheel storage power plants built by Amber Kinetics to store solar energy, which is produced in excess quantity in the daytime, for consumption at night.



### **Belmopan 5G solar container communication station flywheel ...**

This article aims to reduce the electricity cost of 5G base stations, and optimizes the energy storage of 5G base stations connected to wind turbines and photovoltaics.

### **Yemen 5g solar container communication station flywheel energy ...**

We serve customers in 28+ countries across Europe, providing mobile photovoltaic container systems, energy storage container solutions, and containerized energy storage power stations for various ...



### **REYKJAVIK 2MWH HYBRID ENERGY 5G BASE STATION , SCCD ...**

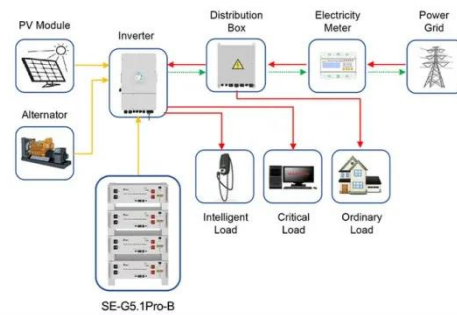
Solar base station flywheel energy storage 5g In, operates in a flywheel



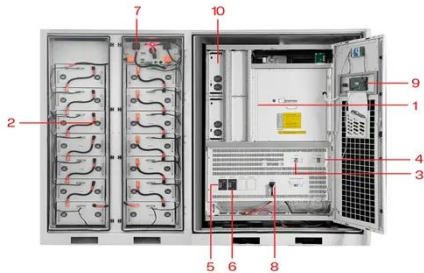
storage power plant with 200 flywheels of 25 kWh capacity and 100 kW of power. Ganged together this gives 5 MWh capacity and ...

## LFP BATTERIES FOR ENERGY STORAGE

Expand your energy storage with the Forest RB Cabinet! This iron enclosure stores up to 6 E-BOX48100R batteries. The Forest RB Cabinet paired with multiple batteries can build a 48V UPS ...



Application scenarios of energy storage battery products



- 1 PCS Module
- 2 Battery room
- 3 Grid side circuit breaker
- 4 Load side circuit breaker
- 5 OPV1 side circuit breaker
- 6 OPV2 side circuit breaker
- 7 High Volt Box
- 8 BAT side circuit breaker
- 9 LCD display screen
- 10 MPPT

## Flywheel Energy Storage Systems and Their Applications: A Review

Flywheel energy storage systems have gained increased popularity as a method of environmentally friendly energy storage. Fly wheels store energy in mechanical rotational energy to

## Praia Electric Energy Storage Container

Why Huawei uses 5g energy storage cabinet for solar container communication station flywheel energy storage China Tower is a world-leading

tower provider that builds, maintains,  
and operates site ...



---

## Contact Us

---

For catalog requests, pricing, or partnerships, please visit:  
<https://www.scelto.co.za>

