

Which energy storage container is best in Peru



Overview

As Peru accelerates its renewable energy adoption, efficient power grid energy storage equipment becomes critical for stabilizing electricity supply. This guide explores cutting-edge technologies transforming Peru's energy infrastructure while addressing common. Peru's growing demand for reliable power solutions has positioned container energy storage systems as a game-changer for industries and communities. These systems combine mobility with high-capacity energy storage, making them ideal for remote mining operations, solar farms, and emergency backup. Energy storage systems (ESS) are increasingly deployed in both transmission and distribution grids for various benefits, especially for improving renewable energy penetration. Along with the industrial acceptanc.

Which energy storage container is best in Peru



Peru's New Energy Storage Revolution: Powering a Sustainable Future

Peru's high-altitude solar farms are testing vanadium flow batteries that laugh in the face of thin air. Meanwhile, the Majes Project --a pumped hydro storage beast--is storing enough energy

...

Cheapest Commercial Energy Storage Supplier in Peru 2025: Price

...

With Lima's industrial electricity rates hitting \$0.21/kWh and nationwide demand for commercial energy storage growing at 34% annually, finding the cheapest BESS supplier isn't just smart - it's existential.



 TAX FREE    



Top Models of Industrial Energy Storage Cabinets in Peru: Solutions

...

Summary: Peru's growing renewable energy sector demands reliable industrial energy storage solutions. This article explores popular models of energy storage cabinets, their applications, and trends ...

Price of Container Energy Storage Systems in Peru: Key Factors and

These systems combine mobility with high-capacity energy storage, making them ideal for remote mining operations, solar farms, and emergency backup solutions. But what determines the price of ...



Support any customization

Inkjet Color label LOGO

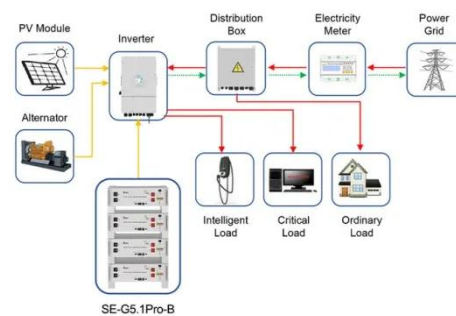


Energy Storage Equipment, Energy storage solutions, Lithium battery

Huijue Off-Grid Solution integrates photovoltaic, energy storage, and off-grid systems for scalable energy self-sufficiency. The Huijue Group Off-Grid Solution comprises three main ...

Powering Peru's Future: Advanced Energy Storage Solutions for a

As Peru accelerates its renewable energy adoption, efficient power grid energy storage equipment becomes critical for stabilizing electricity supply. This guide explores cutting-edge technologies ...



Application scenarios of energy storage battery products

Peru Containerized Energy Storage-Haiqi Biomass Gasifier Factory

Peru Containerized Energy Storage - Replacing fossil fuel burners with Haiqi's

proprietary biomass clean renewable energy, recovering valuable by-products (eg: biomass char, tar, acetic acid) from waste



Application scenarios of energy storage battery products

Container energy storage cost vs benefit calculation in Peru

Curious about BESS container vs traditional energy storage? Dive into our head-to-head comparison of energy density, efficiency, cost, and real-world performance.

ESS



average battery storage container price per 20kW in Peru

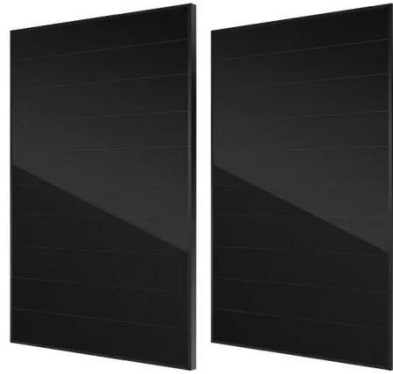
The price of an energy storage container can vary significantly depending on several factors, including its capacity, technology, features, and market conditions.

Peru Energy Storage Market (2025-2031) , Companies & Forecast

Key market players in Peru are investing in advanced energy storage technologies such as lithium-ion batteries, pumped hydro storage, and thermal energy

storage systems to address the evolving

...



Contact Us

For catalog requests, pricing, or partnerships, please visit:
<https://www.scelto.co.za>

