

Wholesale Price of Long-Term Mobile Energy Storage Containers for Hospitals



Overview

Our well-built, cost-effective solutions are customizable, easily transportable, and offer a quick, secure temporary solution for hospitals and pharmaceutical companies in need of space for storage or to use as mobile clinics and patient triage centers. Mobile Modular Portable Storage offers high quality portable storage containers and ground level offices for the healthcare industry to meet its critical requirements, provide optimum patient care, and improve operational efficiency. Major production centers include Guangdong Province (Shenzhen), Jiangsu Province (Jiangsu Gso, Jingjiang Asian-Pacific), Shanghai (Shanghai Huijue), and Jiangxi. These containers house batteries and other energy storage systems, providing a reliable and portable means of storing and deploying energy. The price of an energy storage container can vary significantly depending on several factors, including its capacity, technology, features, and market. Containerized healthcare facilities are modular medical units built from repurposed shipping containers, prefabricated pods, or modular structures. They can function as clinics, diagnostic centers, or full-scale hospitals. Versatile enough to be delivered with any type of delivery system and withstand any climate. These mobile storage. Understanding the price of container energy storage products isn't just about upfront costs—it's about optimizing long-term ROI for solar farms, microgrids, and remote industrial sites. Battery Chemistry: Lithium-ion dominates 78% of projects, but sodium-ion is gaining traction with 15% lower.

Wholesale Price of Long-Term Mobile Energy Storage Containers for



Buy Mobile Storage Containers Factory Direct , Portable Storage

As a manufacturer of portable storage containers, Mobile Container Sales builds the longest lasting portable storage containers available. Use them as roll off containers with any roll off truck or roll off ...

Storage Containers & Mobile Offices

Our storage containers come in customizable 10-foot, 20-foot and 40-foot rental options. You can quickly move things in or out of medical shipping containers while contractors finish remodels or repairs.

 **TAX FREE**    

ENERGY STORAGE SYSTEM

Product Model
HJ-ESS-215A(100KW/215KWh)
HJ-ESS-115A(50KW 115KWh)

Dimensions
1600*1280*2200mm
1600*1200*2000mm

Rated Battery Capacity
215KWH/115KWH

Battery Cooling Method
Air Cooled/Liquid Cooled





**CONTAINER
TYPE ENERGY
STORAGE SYSTEM**

Energy storage system
FC RoHS CE

Containerized Healthcare Facilities: Mobile Clinics and Hospitals

Learn how containerized clinics and hospitals deliver rapid, scalable healthcare anywhere. Explore design, uses, and deployment with Storage On-Site.

40KWh Mobile Foldable Solar

Storage Container (10ft)

Highjoule offers foldable solar containers, hybrid energy storage systems, PV-diesel integrated cabinets, and mobile energy platforms. Power ranges span from 20KW to over 400KWh and are housed in ...



ESS

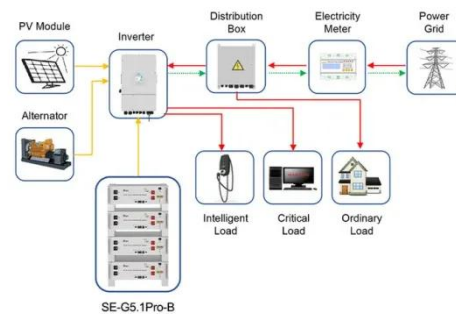


Container Energy Storage Price Trends: Key Factors and Market ...

Understanding the price of container energy storage products isn't just about upfront costs--it's about optimizing long-term ROI for solar farms, microgrids, and remote industrial sites.

Energy Storage Container Price: Unraveling the Costs and Factors

In this article, we will explore the various aspects that influence the price of energy storage containers and provide a comprehensive understanding of their cost structure.



Application scenarios of energy storage battery products

Industrial Energy Storage Containers

Discover Oregon Amperex's intelligent energy storage containers (20FT/40FT) with air/liquid cooling. Built for C&I, hospitals, and shorepower, they feature

high capacity, explosion-proof design,
and ...



Wholesale Energy Storage Container Solutions

Find reliable wholesale energy storage containers for industrial and commercial use. Discover modular, transportable systems ideal for renewable integration. Click to explore top suppliers with verified ...



Mobile Energy Storage Battery Container Price: Key Factors and ...

Who's Driving the Demand for Mobile Energy Storage Containers? Ever wondered why these steel boxes with batteries are suddenly everywhere - from solar farms to music festivals?

Medical Shipping Containers for the Healthcare Industry

In turn, we will always work with you to find the best solutions for your

company's long-term storage needs, no matter how complex they may be. We do all this while offering competitive pricing that ...



Contact Us

For catalog requests, pricing, or partnerships, please visit:
<https://www.scelto.co.za>

