

Wholesale bess storage system in guyana



IP65/IP55 OUTDOOR CABINET

OUTDOOR TELECOM CABINET

OUTDOOR ENERGY STORAGE CABINET

19 INCH



Wholesale bess storage system in guyana



Backup energy storage system arrives in Guyana to power Gas-to-Energy

With our team working on-site around the clock, focused on meeting international quality standards and the arrival of the BESS, the project moves one step closer to completion, ensuring Guyana's ...

Battery system arrives in Guyana for delayed Gas-to-Energy project

The system arrived at the John Fernandes Wharf in Georgetown in 22 containers and will serve as the facility's emergency support in the event of turbine failure. It comprises battery racks, six inverters, ...

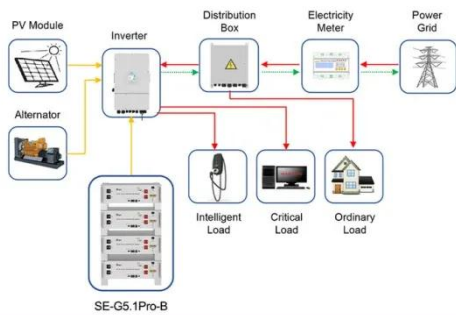


Energy Storage Equipment, Energy storage solutions, Lithium battery

Huijue Group offers industrial and commercial energy storage, PV-BESS -EV Charging, Off-grid / On-grid Microgrid, telecom site solutions, and home solar energy storage, ensuring reliability, efficiency, and ...

Backup energy storage system to support GtE project arrives

The Wales Gas-to-Energy (GtE) project contractor, LNDCH4 Guyana, has announced the arrival of the Backup Battery Storage System (BESS) which it says forms a critical part of the power



Application scenarios of energy storage battery products

Wholesale battery and storage in Guyana

We attach value to innovation, specifically with patents of China on Wholesale battery and storage in Guyana, its excellent technologies has reached the international sophisticated level, and has a higher reputation inside ...

Guyana Wakenaam Diesel and BESS Storage Project has been ...

After a period of dedicated efforts, on Janu, the Wakenaam Diesel and BESS Storage Project was officially completed.



Wholesale BESS Battery Energy Storage System for Commercial Use

Looking for reliable wholesale BESS battery energy storage systems?

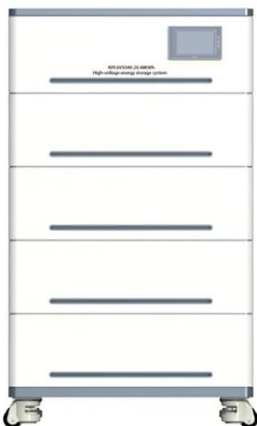
Applications



Discover top-rated, customizable solutions for commercial and industrial applications. Click to explore high-efficiency, scalable ...

WHOLESALE BESS BATTERY MANUFACTURER AND SUPPLIER FACTORY

Guyana's landmark Gas-to-Energy project reached a critical milestone with the arrival of a 30-MW backup battery energy storage system (BESS) at Georgetown's John Fernandes Wharf, according to OilNOW. [pdf]



Back-up energy-storage system arrives for gas-to-energy project

-engineered to ensure uninterrupted energy delivery in the event of turbine failure, LNDCH4 Guyana says LNDCH4 Guyana has announced the arrival of the Backup Battery Storage System (BESS), ...


Backup energy storage system arrives in Guyana to power Gas-to

...

With our team working on-site around the clock, focused on meeting international quality standards and the arrival of the BESS, the project moves one step closer to completion, ensuring ...

LIQUID COOLING ENERGY STORAGE SYSTEM

EMS real-time monitoring
No container design
flexible site layout



Cycle Life **≥ 8000** Nominal Energy **200kwh** IP Grade **IP55**

Contact Us

For catalog requests, pricing, or partnerships, please visit:
<https://www.scelto.co.za>

