

Wind-solar hybrid road power system



Wind-solar hybrid road power system



Solar Wind Hybrid System: Everything You Need to Know

This guide will explain exactly what a solar-wind hybrid system is, how it works, and why it's becoming the go-to hybrid solar solution for cabins, RVs, farms, and homes seeking uncompromising power ...

Wind-Solar Hybrid Guide , Renewable Energy Systems

In today's push for sustainable urban development, wind-solar hybrid street lighting represents a breakthrough in green energy technology. These systems combine advanced wind and ...



A review of hybrid renewable energy systems: Solar and wind ...

The review comprehensively examines hybrid renewable energy systems that combine solar and wind energy technologies, focusing on their current challenges, opportunities, and policy ...

A Hybrid Electricity Generation In

Highways Using Wind And ...

A review of solar and wind energy system integrating solar, wind, and biomass sources showcases their diverse principles, types, and applications across various sectors.



Wind-Solar Hybrid System Guide: Best Off-Grid Power Solution

Learn how a wind-solar hybrid system provides stable, year-round power for farms, rural homes, telecom sites, islands, and remote facilities. Explore key components, benefits, applications, ...

Roadway Wind/Solar Hybrid Power Generation and Distribution ...

The EPRTL prototypes satisfy all operational requirements, such as maximum power point tracking control as well as constant power control for the wind turbine and PV panels, and charge and ...



Harnessing the Best of Both: A Practical Guide to Wind-Solar Hybrid

...

A wind-solar hybrid system integrates

multiple energy conversion technologies through sophisticated power management systems. The operation centers on seamlessly combining two ...



Solar and Wind Power: Is a Hybrid System Worth It?

Is a solar and wind hybrid system the answer to off-grid power? A look at the real pros, cons, and costs, with a focus on why battery storage is vital.



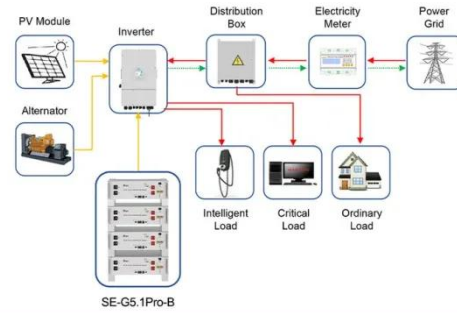
DESIGN AND PERFORMANCE OPTIMIZATION OF A HYBRID ...

Vertical-axis wind turbines, when integrated with solar panels, present an efficient hybrid system for electricity generation. The aim of this project was to maximize the efficient

Wind-Solar Hybrid Systems: Are They Useful?

What Is a Wind-Solar Hybrid System? A wind-solar hybrid system is an alternative power generation system that pairs two great forces in green

energy: photovoltaic (solar) panels and wind ...



Application scenarios of energy storage battery products

Contact Us

For catalog requests, pricing, or partnerships, please visit:
<https://www.scelto.co.za>

